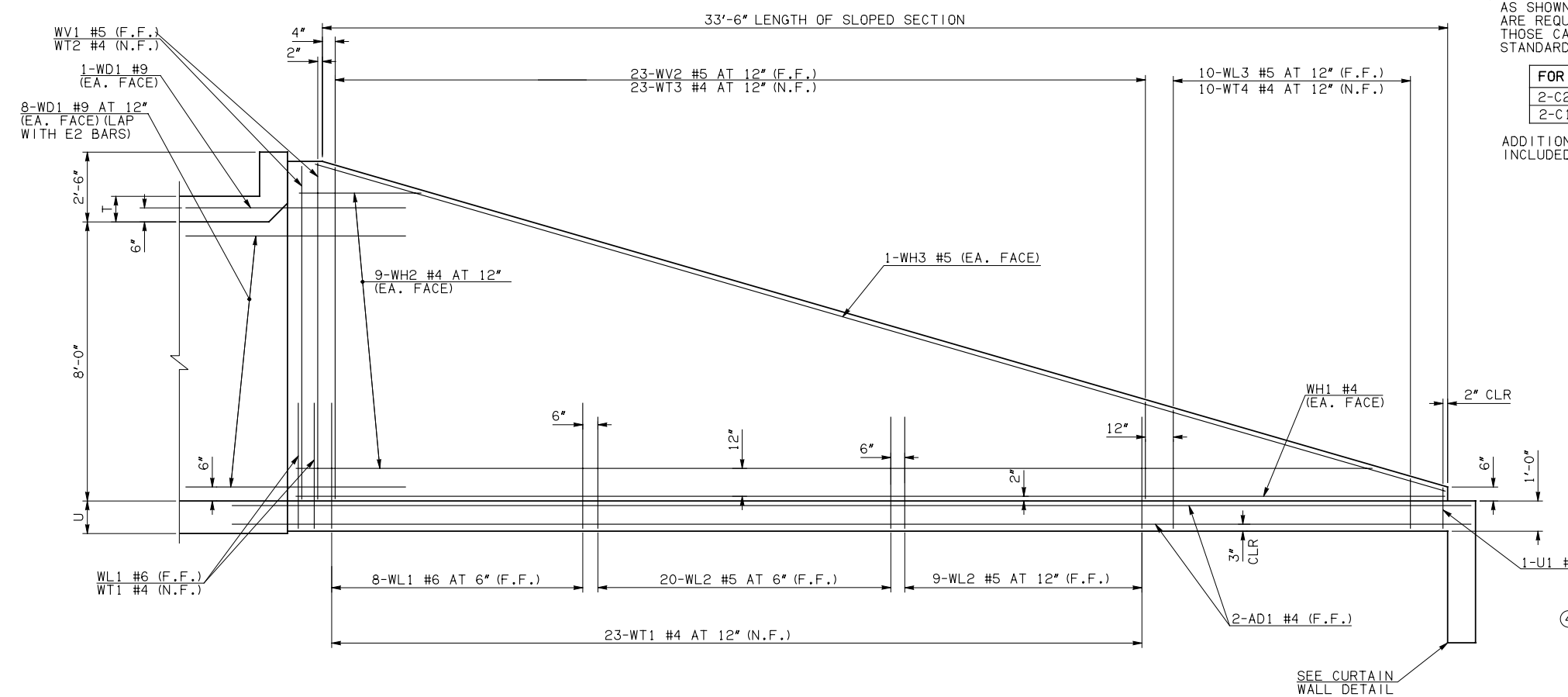


DESCRIPTION	REVISIONS	DATE

④ NOTE: TO CONSTRUCT ONE END SECTION AS SHOWN, THE FOLLOWING BARS ARE REQUIRED IN ADDITION TO THOSE CALLED IN THE RCB BARREL STANDARD:

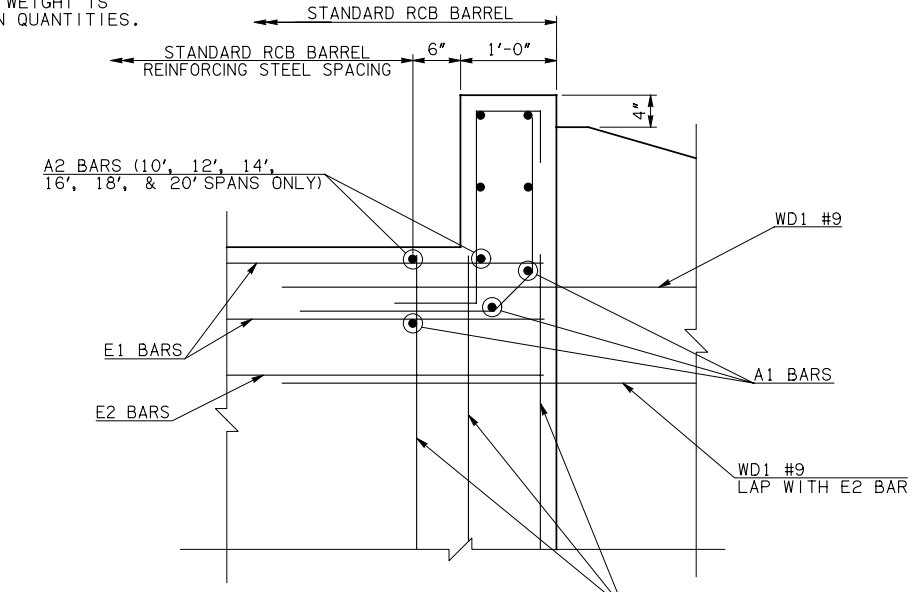
FOR 10', 12', 14', 16', 18', & 20' SPANS
2-C2 BARS
2-C1 BARS

ADDITIONAL WEIGHT IS INCLUDED IN QUANTITIES.



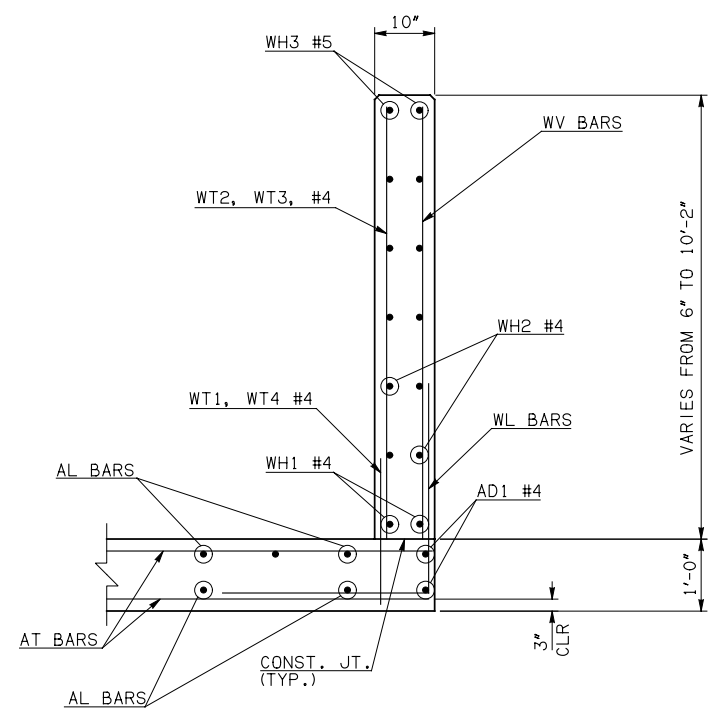
NOTE: F.F. = FAR FACE
N.F. = NEAR FACE

WING ELEVATION

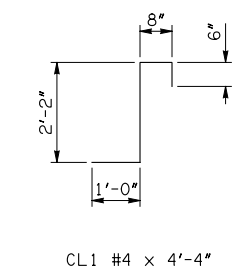


④ B2 WITH B1 BARS (F.F.)(10', 12', 14', 16', 18', & 20' SPANS)
C2 WITH C1 BARS (N.F.)(10', 12', 14', 16', 18', & 20' SPANS)
B2 WITH B1 BARS (N.F.)(8' SPAN)

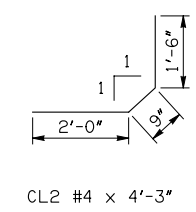
HEADWALL DETAIL AT EXTERIOR WALL



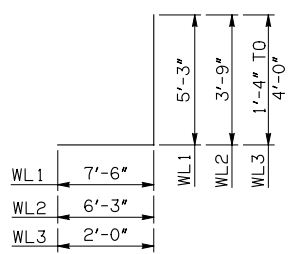
TYPICAL SECTION THRU WING



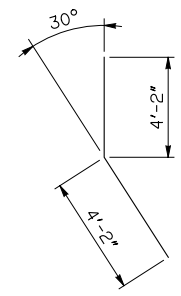
CL1 #4 x 4'-4"



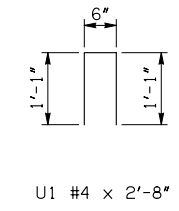
CL2 #4 x 4'-3"



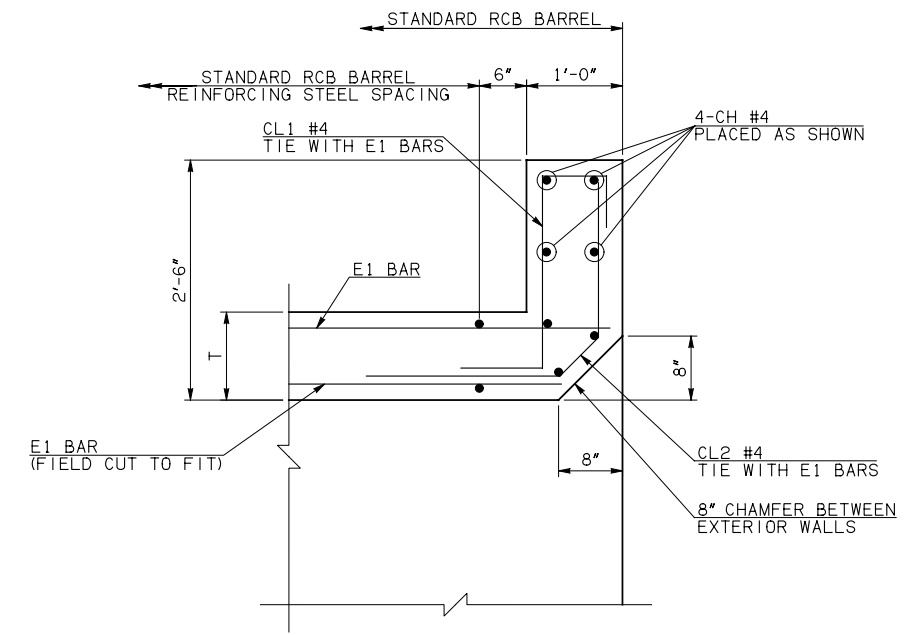
WL1 #6 x 12'-9"
WL2 #5 x 10'-0"
WL3 #5 x 4'-8" AVG.



WD1 #9 x 8'-4"



U1 #4 x 2'-8"



HEADWALL DETAIL AT MIDSPAN

APPROVED BY BRIDGE ENGINEER *Robert J. Nusch* DATE 4/09/09

OKLAHOMA DEPT. OF TRANSPORTATION
BRIDGE STANDARD (ENGLISH)
RCB CULVERTS - END SECTION DETAILS
SINGLE CELL - 8'-0" HEIGHT - 0°
SHEET NO. 2 OF 2

1999 SPECIFICATIONS	RCB-E1-H8-0-2	OOE
---------------------	---------------	-----