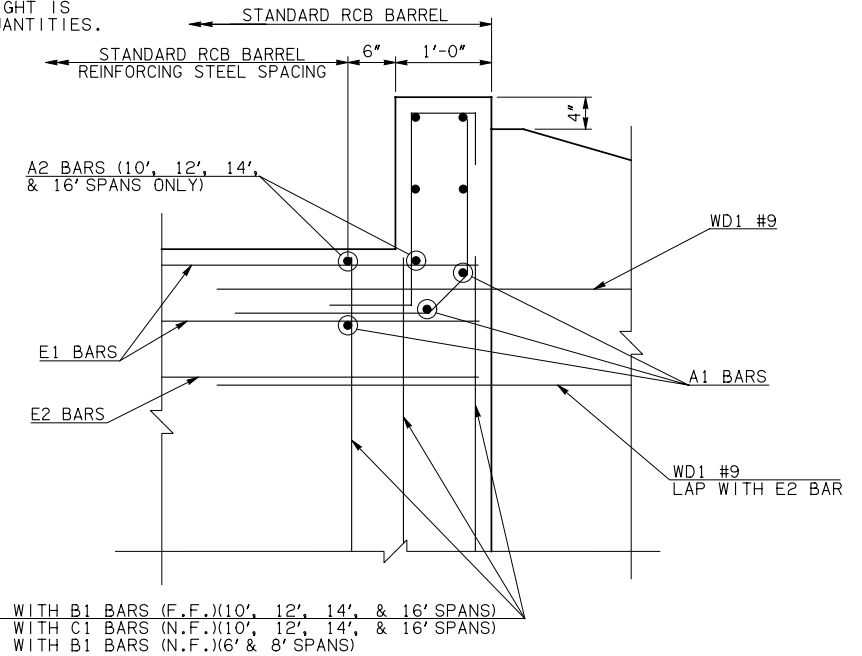


DESCRIPTION	REVISIONS	DATE

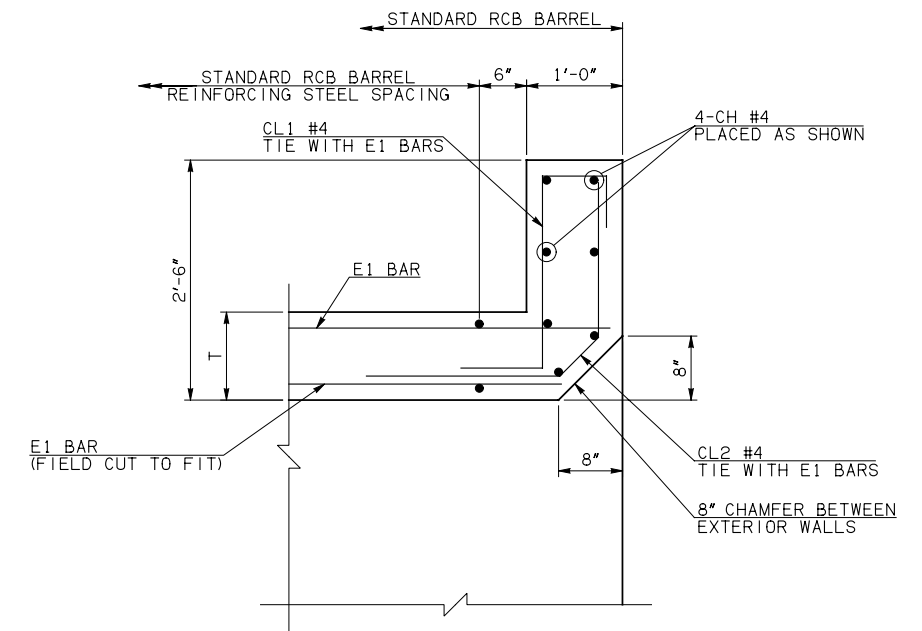
④ NOTE: TO CONSTRUCT ONE END SECTION AS SHOWN, THE FOLLOWING BARS ARE REQUIRED IN ADDITION TO THOSE CALLED IN THE RCB BARREL STANDARD:

FOR 8' SPAN	FOR 10', 12', 14', & 16' SPANS
2-B1 BARS	2-C1 BARS
2-B2 BARS	2-C2 BARS

ADDITIONAL WEIGHT IS INCLUDED IN QUANTITIES.



HEADWALL DETAIL AT EXTERIOR WALL



HEADWALL DETAIL AT MIDSPAN

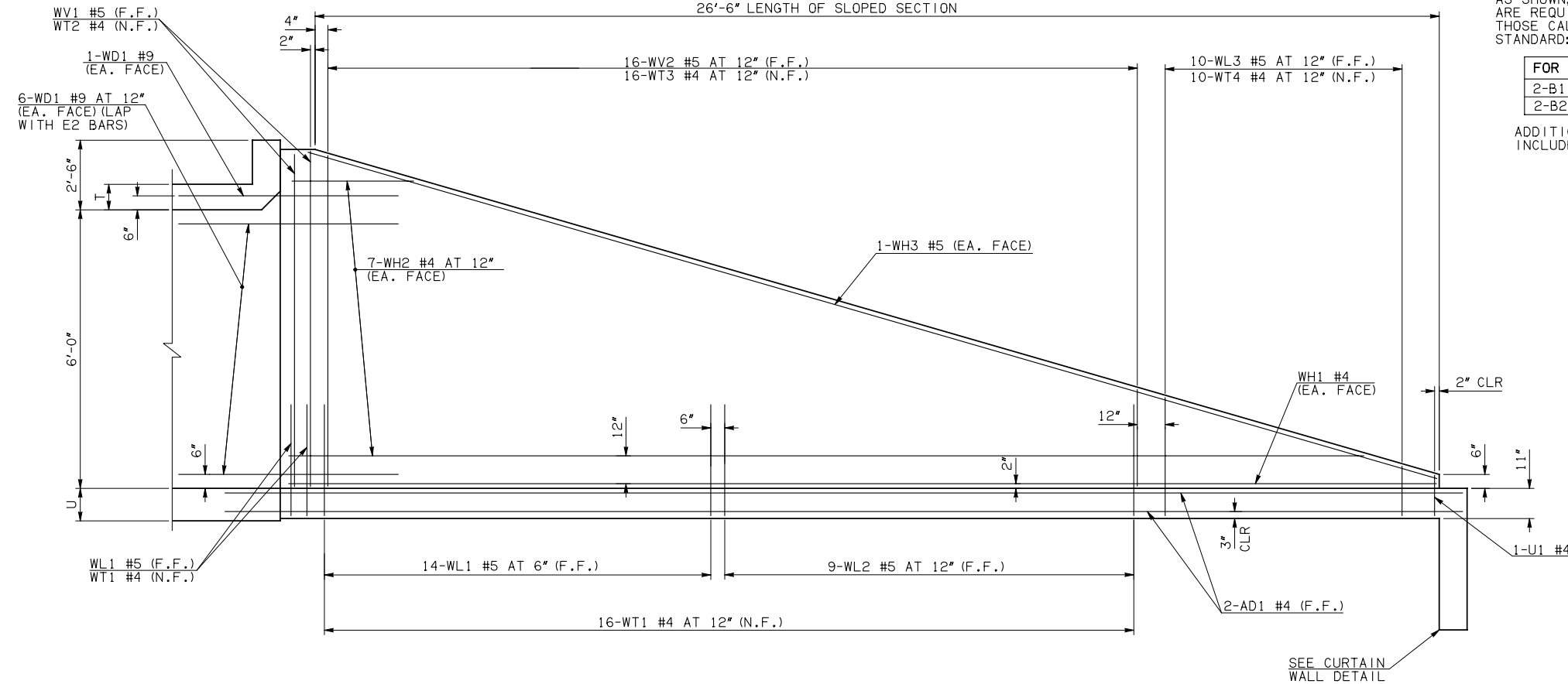
APPROVED BY BRIDGE ENGINEER *Robert J. Muech* DATE 4/09/09

OKLAHOMA DEPT. OF TRANSPORTATION  
BRIDGE STANDARD (ENGLISH)  
RCB CULVERTS - END SECTION DETAILS  
SINGLE CELL - 6'-0" HEIGHT - 0°  
SHEET NO. 2 OF 2

1999 SPECIFICATIONS	RCB-E1-H6-0-2	OOE
---------------------	---------------	-----

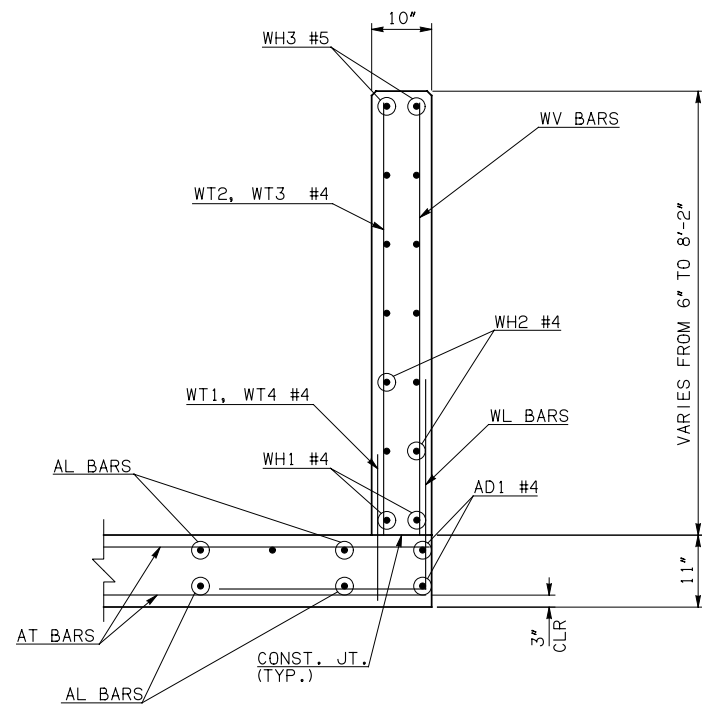
B-579E

26'-6" LENGTH OF SLOPED SECTION

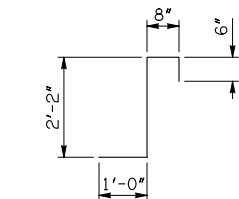


NOTE: F.F. = FAR FACE  
N.F. = NEAR FACE

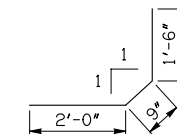
WING ELEVATION



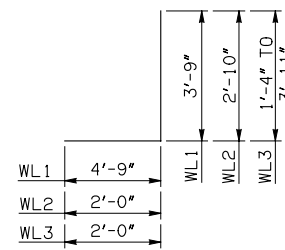
TYPICAL SECTION THRU WING



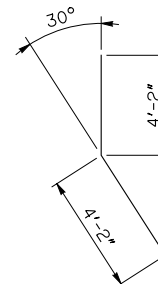
CL1 #4 x 4'-4"



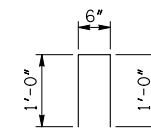
CL2 #4 x 4'-3"



WL1 #5 x 8'-6"  
WL2 #5 x 4'-10"  
WL3 #5 x 4'-7 1/2" AVG.



WD1 #9 x 8'-4"



U1 #4 x 2'-6"