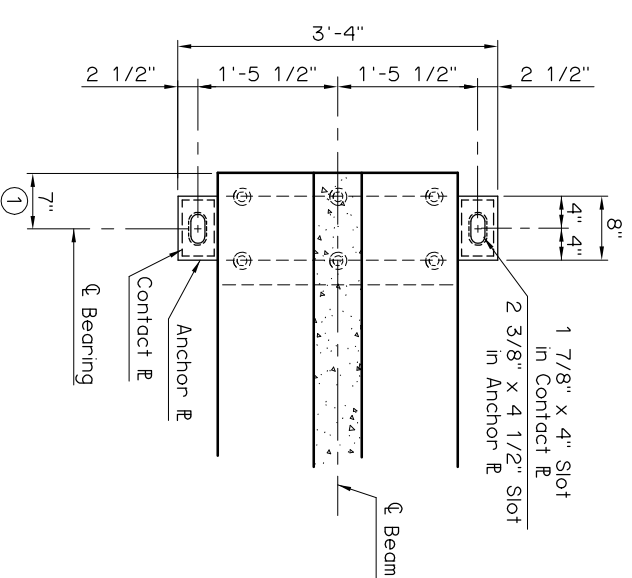
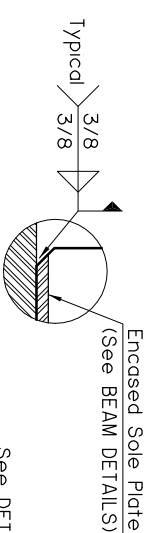


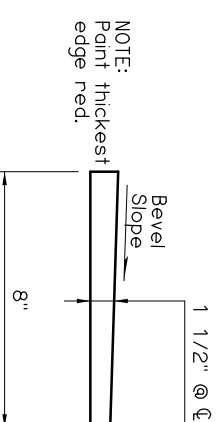
**FIXED BEARING PLAN**



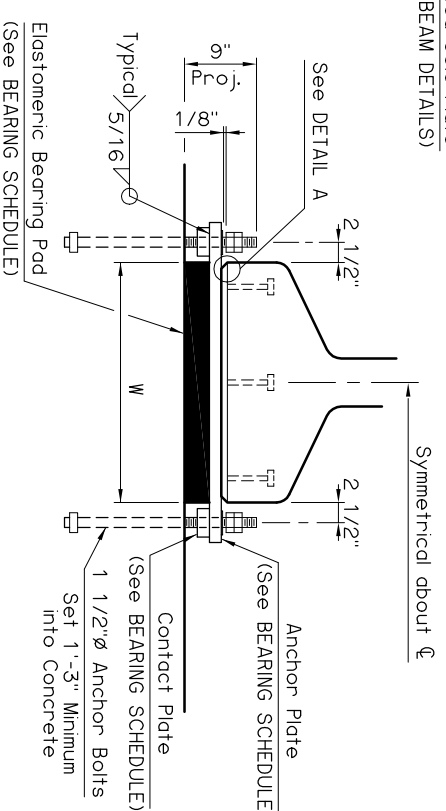
**EXPANSION BEARING PLAN**



**DETAIL A**



NOTE:  
Point thickest  
edge red.



**END VIEW**

**SIDE VIEW**

**BEARING DETAILS**

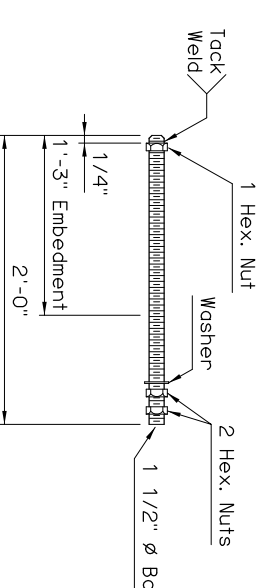
**BEVELED ANCHOR PLATE DETAIL**

NOTE:  
Beveled Anchor Plate is required when angle between underside of girder and horizontal exceeds 1%. Bevel Slope to match angle between girder and horizontal.

NOTE:  
Structural steel for Anchor Plates, Contact Plates and Anchor Bolts shall conform to AASHTO M270 (ASTM A709), Grade 50W (Weathering Steel, Charpy V-Notch testing not required). Nuts, washers and welding shall have weathering characteristics.

SPAN	ANCHOR PLATE	CONTACT PLATE	60 DUROMETER ELASTOMERIC BEARING PAD				MAXIMUM EXPANSION LENGTH (2)
			SIZE (T x L x W)	COVER LAYER	INNER LAYER	LAMINATE PLATE	
95'	1 1/2"x8"x3'-4"	1 1/2"x4"x7"	3 1/8"x6"x2'-6"	2 - 1/4"	5 - 3/8"	6 - 1/8"	235'
100'	1 1/2"x8"x3'-4"	1 5/8"x4"x7"	3 1/8"x6 1/2"x2'-6"	2 - 1/4"	5 - 3/8"	6 - 1/8"	235'
105'	1 1/2"x8"x3'-4"	1 3/4"x4"x7"	3 1/8"x6 1/2"x2'-6"	2 - 1/4"	5 - 3/8"	6 - 1/8"	235'
110'	1 1/2"x8"x3'-4"	1 3/4"x4"x7"	3 1/8"x6 1/2"x2'-6"	2 - 1/4"	5 - 3/8"	6 - 1/8"	235'
115'	1 1/2"x8"x3'-4"	1 7/8"x4"x7"	3 1/8"x6 1/2"x2'-6"	2 - 1/4"	5 - 3/8"	6 - 1/8"	235'
120'	1 1/2"x8"x3'-4"	1 7/8"x4"x7"	3 1/8"x7"x2'-6"	2 - 1/4"	5 - 3/8"	6 - 1/8"	235'
125'	1 1/2"x8"x3'-4"	2"x4"x7"	3 1/8"x7"x2'-6"	2 - 1/4"	5 - 3/8"	6 - 1/8"	235'

(2) Bonding of Bearing Pad not required.



**ANCHOR BOLT DETAIL**

APPROVED BY BRIDGE ENGINEER *Chad Head* DATE *8/16/09*  
 OKLAHOMA DEPT. OF TRANSPORTATION  
 BRIDGE STANDARD (ENGLISH)  
**BEARING DETAILS**  
**TYPE J P.C. BEAMS**  
**CONVENTIONAL**