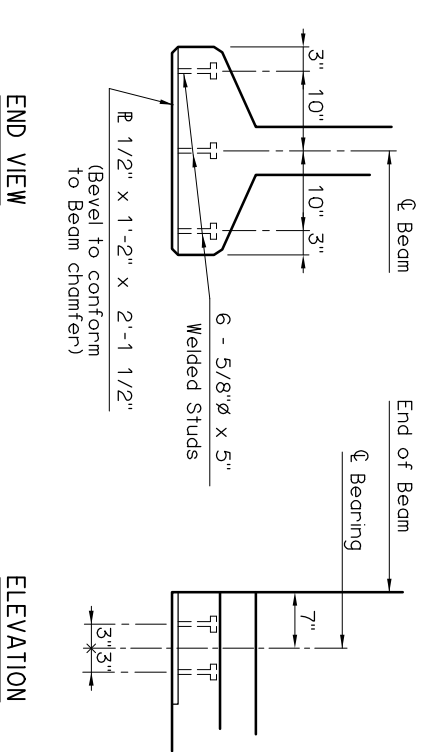
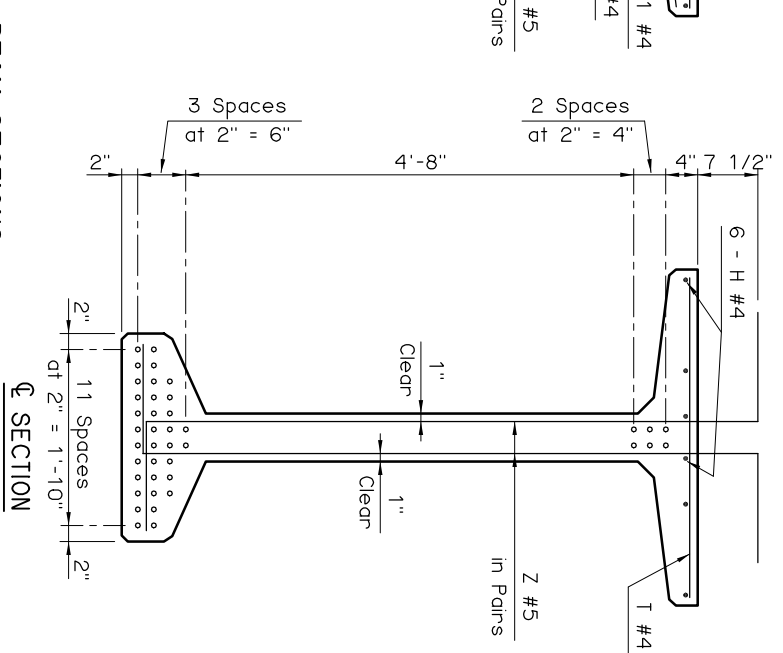
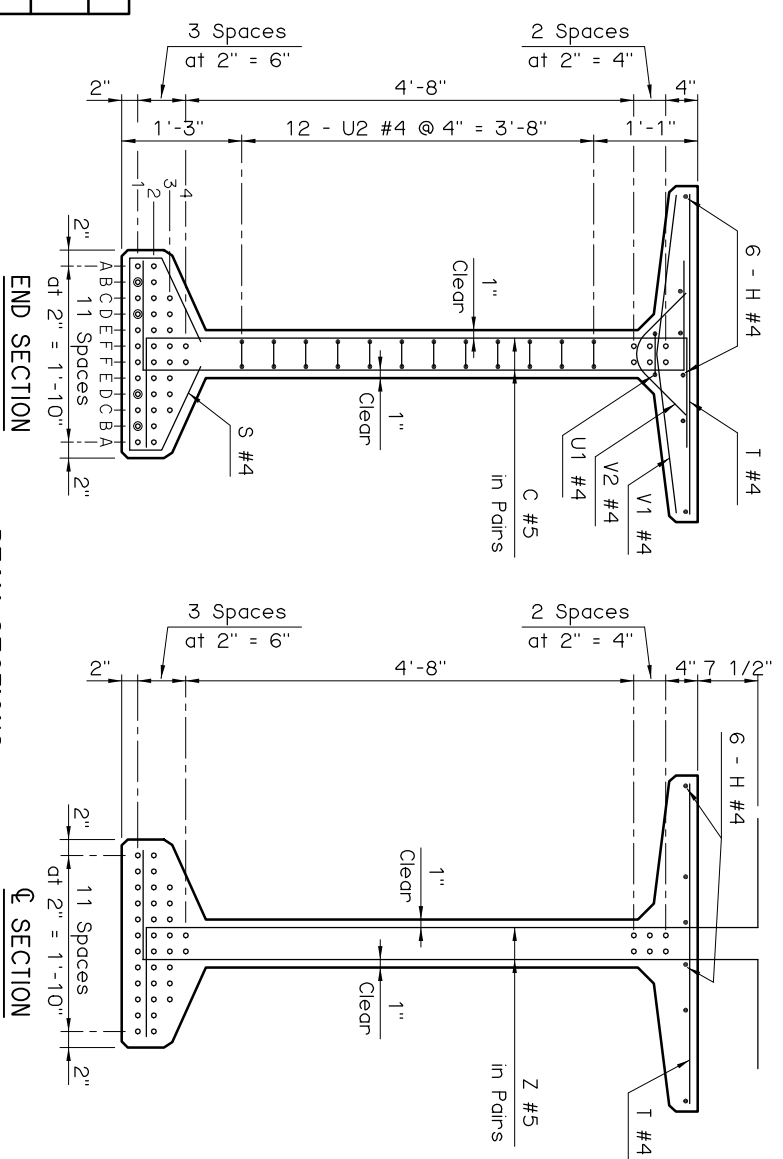


NOTE:  
Encased Beam Plate located at expansion end only.



NOTE:  
Encased Sole Plate located at each end of Beam.

DEBOND SCHEDULE	
DEBOND PAIR	DEBOND LENGTH FROM END OF BEAM
B1	10'-0"
D1	5'-0"

BEAM SECTIONS  
(40 - 0.6"Ø STRANDS)

APPROVED BY BRIDGE ENGINEER *Chad Head* DATE *8/16/09*

OKLAHOMA DEPT. OF TRANSPORTATION  
BRIDGE STANDARD (ENGLISH)  
TYPE BT-72 P.C. BEAM DETAILS  
110' SPAN  
CONVENTIONAL (SHEET 2 OF 2)

1999 SPECIFICATIONS B40-C-PCB-BT-110-2 OOE B-323E