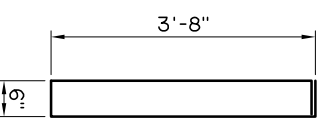
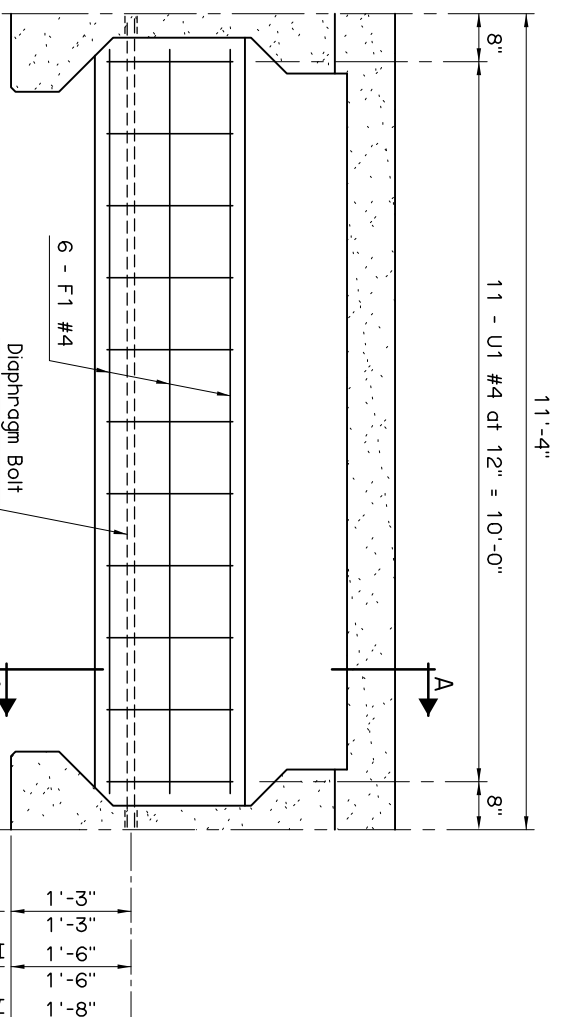


- U1 #4 x 3'-5" - Type II
- U1 #4 x 3'-3" - Type B
- U1 #4 x 4'-1" - Type III
- U1 #4 x 3'-7" - Type C
- U1 #4 x 4'-9" - Type IV



- U1 #4 x 8'-10" - Type BT-72
- U1 #4 x 8'-10" - Type J

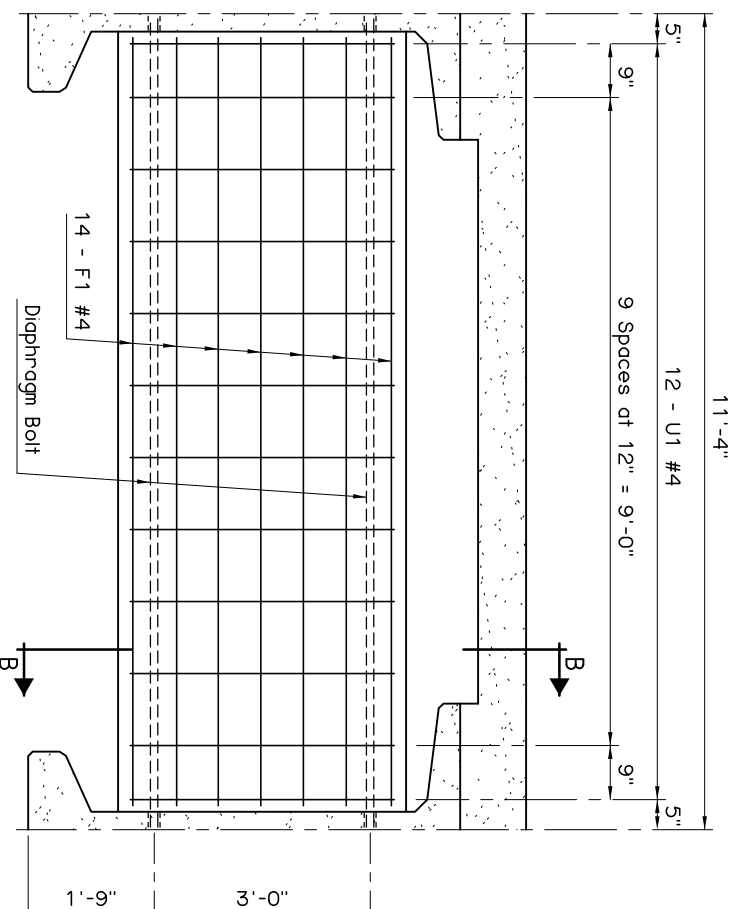
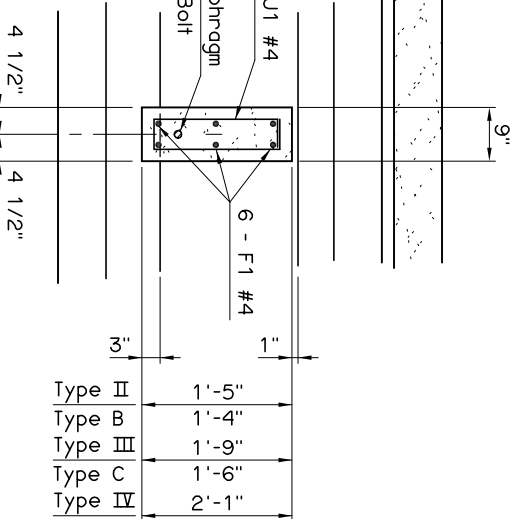
INTERMEDIATE DIAPHRAGM BAR LIST ONE DIAPHRAGM SHOWN				
P.C. BEAM	MARK	SIZE	NO.	FORM LENGTH
TYPE I	U1	#4	33	BNT. 3'-5"
	F1	#4	18	STR. 10'-6"
TYPE II	U1	#4	33	BNT. 3'-3"
	F1	#4	18	STR. 10'-6"
TYPE III	U1	#4	33	BNT. 4'-1"
	F1	#4	18	STR. 10'-5"
TYPE IV	U1	#4	33	BNT. 3'-7"
	F1	#4	18	STR. 10'-5"
TYPE V	U1	#4	33	BNT. 4'-9"
	F1	#4	18	STR. 10'-4"
TYPE VI	U1	#4	36	BNT. 8'-10"
	F1	#4	42	STR. 10'-6"
TYPE VII	U1	#4	36	BNT. 8'-10"
	F1	#4	42	STR. 10'-6"
TYPE VIII	U1	#4	42	STR. 10'-6"
	F1	#4	42	STR. 10'-6"



**PRECAST BEAM TYPE II, B, III, C AND IV**  
(1 INTERMEDIATE DIAPHRAGM PER SPAN)  
(1 PIER DIAPHRAGM AT EACH PIER PER SPAN)

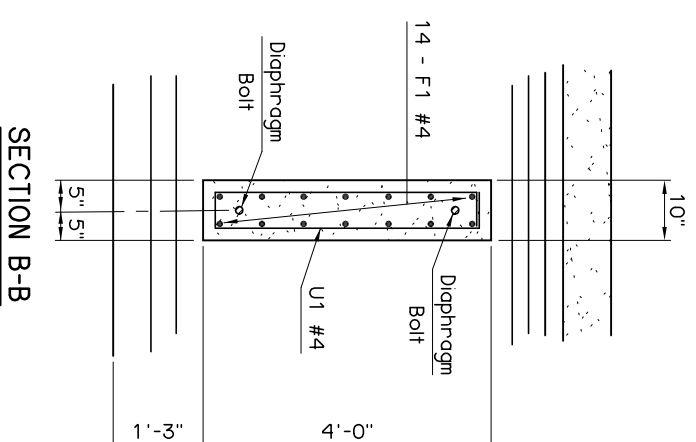
- Type H 1'-3"
- Type B 1'-3"
- Type C 1'-6"
- Type H 1'-8"

**SECTION A-A**



**PRECAST BEAM TYPE BT-72 AND J**  
(2 INTERMEDIATE DIAPHRAGMS PER SPAN)  
(1 PIER DIAPHRAGM AT EACH PIER PER SPAN)

**DIAPHRAGM DETAILS**



**SECTION B-B**

APPROVED BY BRIDGE ENGINEER *Chad Head* DATE *8/18/03*

OKLAHOMA DEPT. OF TRANSPORTATION  
BRIDGE STANDARD (ENGLISH)  
INTERMEDIATE AND PIER DIAPHRAGM DETAILS  
P.C. BEAMS  
INTEGRAL

1999 SPECIFICATIONS B40-I-DIA-PCB OOE B-190E