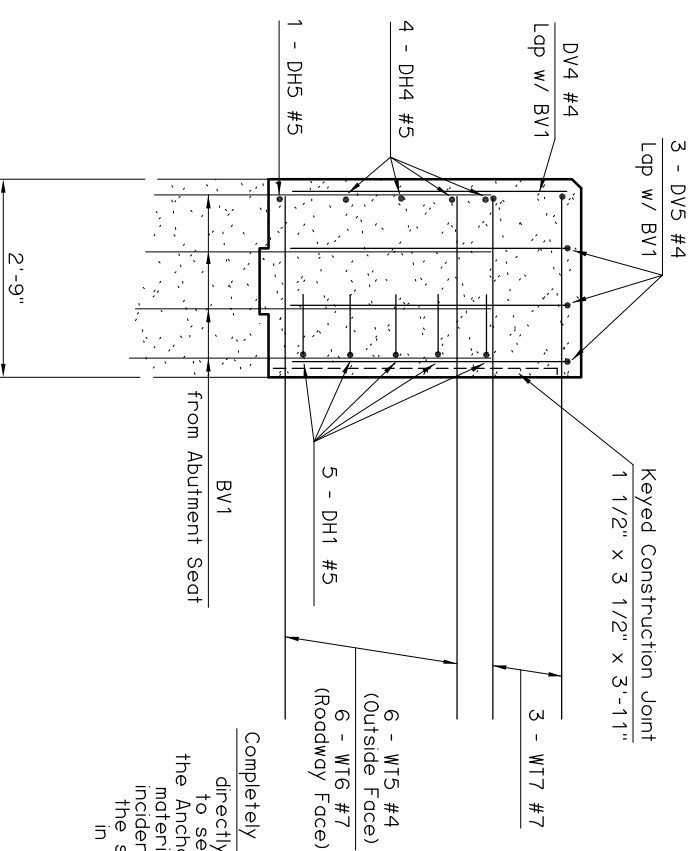
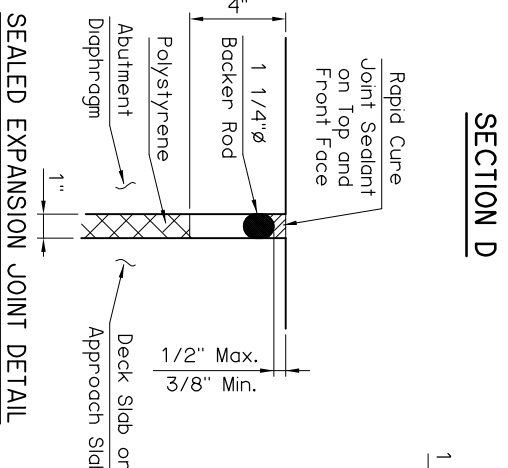
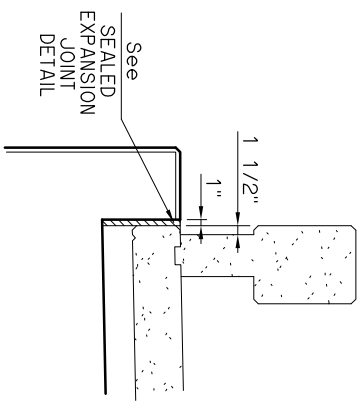
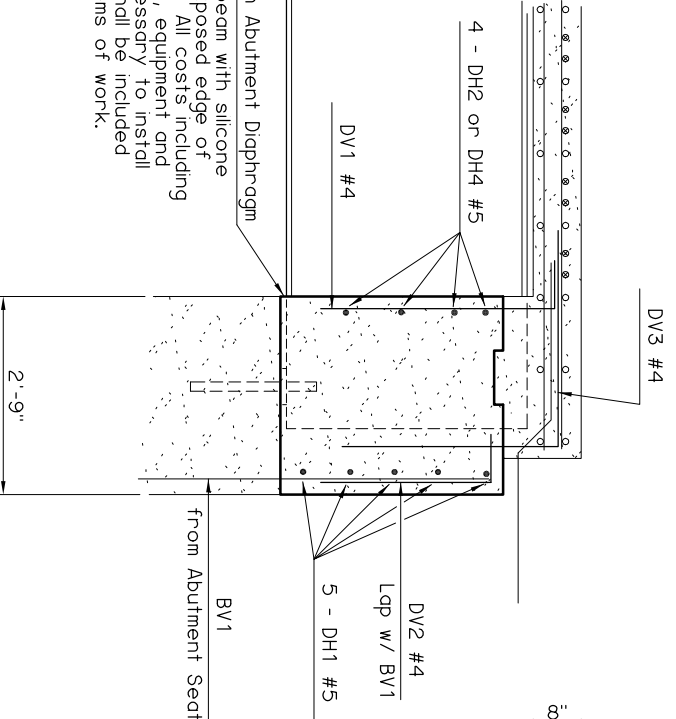


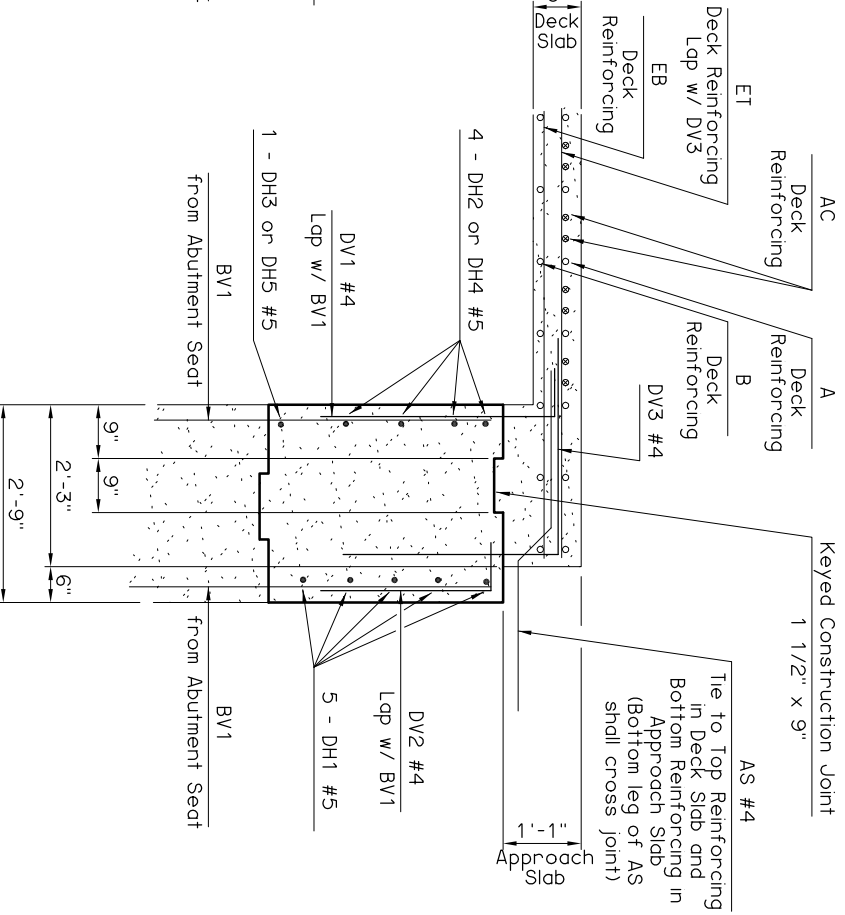
Deck Slab shown for informational purposes only. Deck Slab shall not be poured until the Abutment Diaphragms have attained a strength of 3000 psi.



SECTION C-C

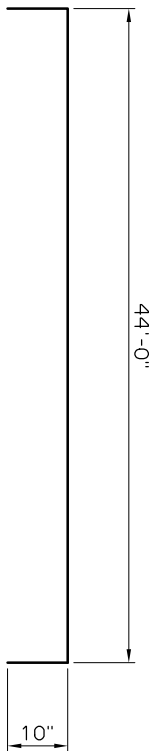
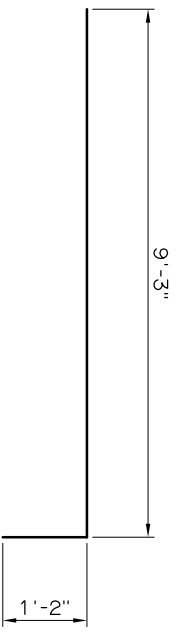
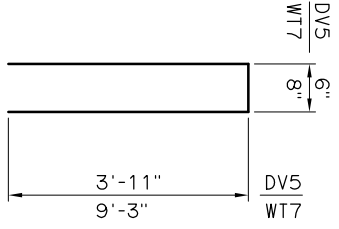


SECTION B-B

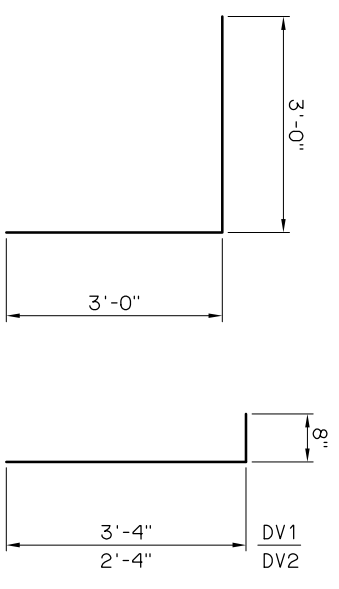


SECTION A-A

Completely fill void in Abutment Diaphragm directly under beam with silicone to seal the exposed edge of the Anchor Plate. All costs including materials, labor, equipment and incidentals necessary to install the silicone shall be included in other items of work.



| ABUTMENT DIAPHRAGM BAR LIST ONE SHOWN |      |     |             |
|---------------------------------------|------|-----|-------------|
| EPOXY COATED REINFORCING              |      |     |             |
| MARK                                  | SIZE | NO. | FORM LENGTH |
| DV1                                   | #4   | 47  | BNT. 4'-0"  |
| DV2                                   | #4   | 42  | BNT. 3'-0"  |
| DV3                                   | #4   | 43  | BNT. 6'-0"  |
| DV4                                   | #4   | 4   | STR. 3'-11" |
| DV5                                   | #4   | 6   | BNT. 8'-4"  |
| DH1                                   | #5   | 5   | BNT. 45'-8" |
| DH2                                   | #5   | 12  | STR. 11'-6" |
| DH3                                   | #5   | 3   | STR. 7'-6"  |
| DH4                                   | #5   | 8   | STR. 4'-1"  |
| DH5                                   | #5   | 2   | STR. 2'-1"  |
| WT5                                   | #4   | 12  | STR. 5'-9"  |
| WT6                                   | #7   | 12  | BNT. 10'-5" |
| WT7                                   | #7   | 6   | BNT. 19'-2" |



APPROVED BY BRIDGE ENGINEER *Clayton Head* DATE 12-1-04

OKLAHOMA DEPT. OF TRANSPORTATION  
BRIDGE STANDARD (ENGLISH)  
ABUTMENT DIAPHRAGM DETAILS  
55' THRU 100' ROLLED BEAM SPANS  
INTEGRAL (SHEET 2 OF 2)

1999 SPECIFICATIONS B40-I-ADIA-RB-55100-2 O1E B-182E