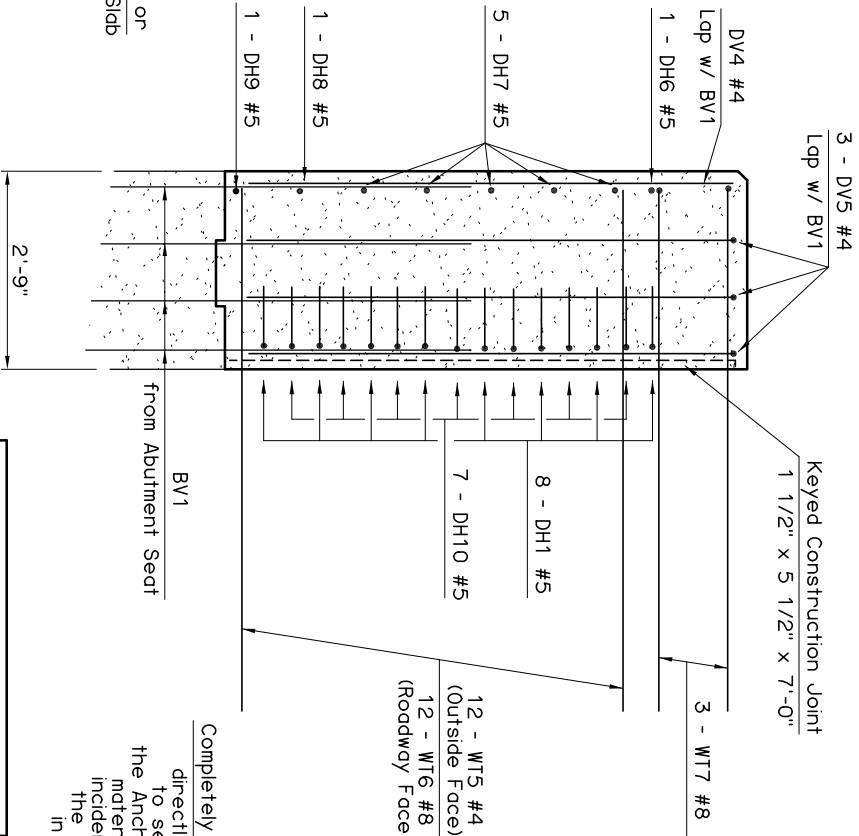
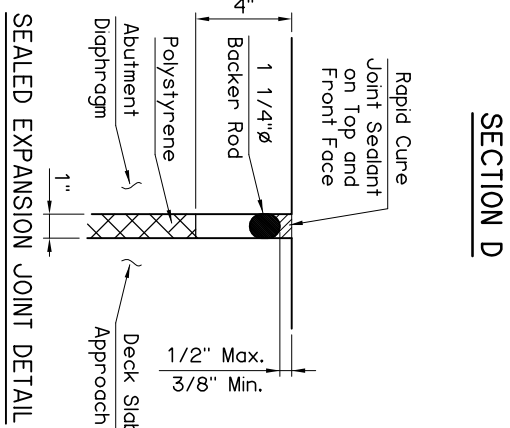
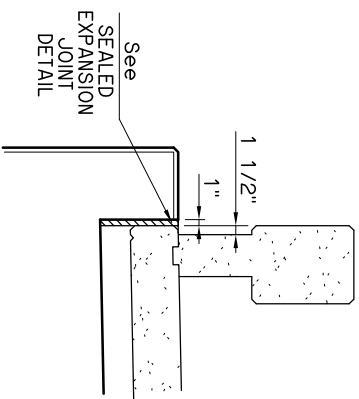


Deck Slab shown for informational purposes only. Deck Slab shall not be poured until the Abutment Diaphragms have attained a strength of 3000 psi.

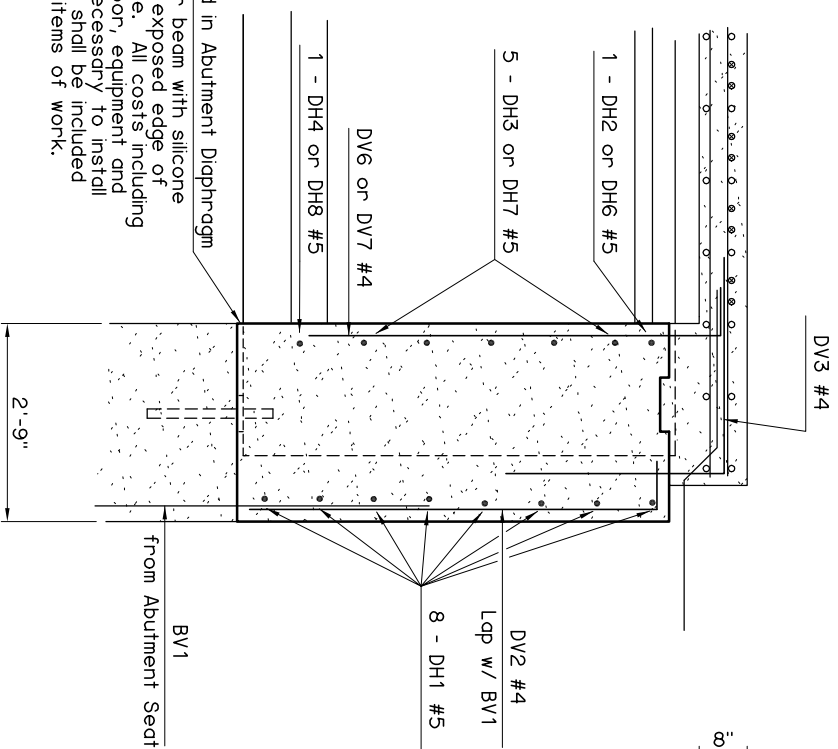


Completely fill void in Abutment Diaphragm directly under beam with silicone to seal the exposed edge of the Anchor Plate. All costs including materials, labor, equipment and incidentals necessary to install the silicone shall be included in other items of work.

SECTION C-C

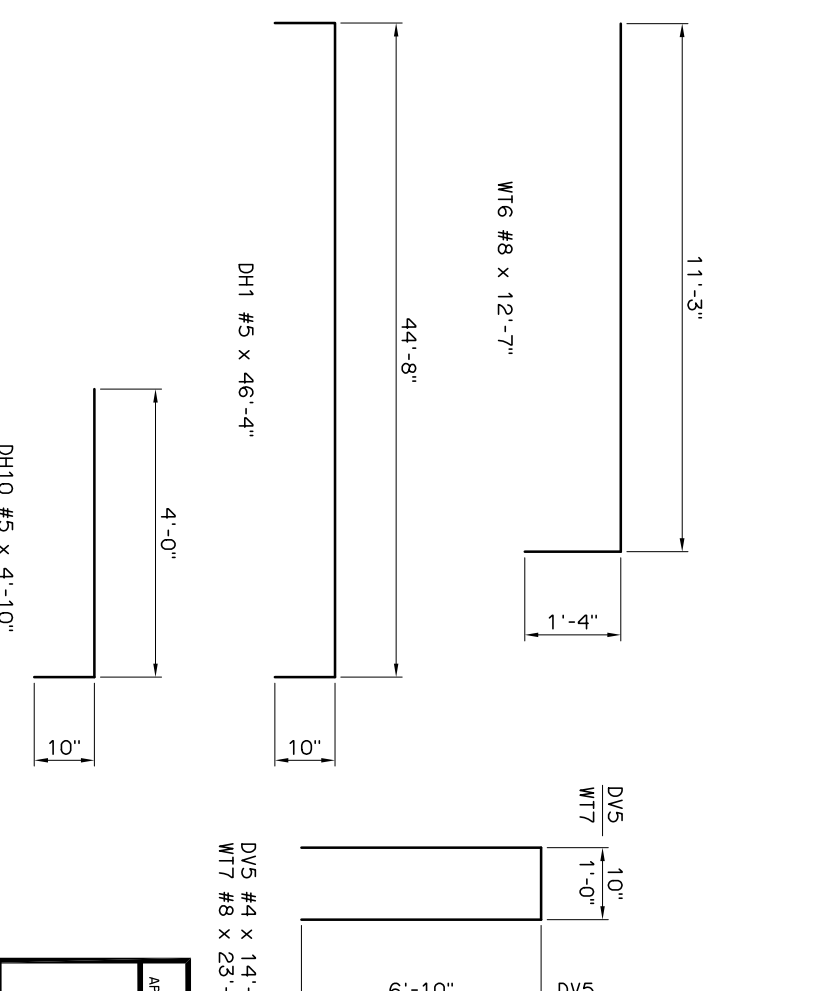
ABUTMENT DIAPHRAGM BAR LIST ONE SHOWN

EPOXY COATED REINFORCING				
MARK	SIZE	NO.	FORM	LENGTH
DV1	#4	59	BNT.	7'-3"
DV2	#4	83	BNT.	6'-3"
DV3	#4	43	BNT.	6'-0"
DV4	#4	4	STR.	6'-10"
DV5	#4	6	BNT.	14'-6"
DV6	#4	8	STR.	4'-6"
DV7	#4	8	STR.	4'-2"
DH1	#5	8	BNT.	46'-4"
DH2	#5	3	STR.	7'-6"
DH3	#5	15	STR.	10'-6"
DH4	#5	3	STR.	8'-6"
DH5	#5	3	STR.	6'-0"
DH6	#5	2	STR.	3'-5"
DH7	#5	10	STR.	4'-11"
DH8	#5	2	STR.	4'-0"
DH9	#5	2	STR.	2'-8"
DH10	#5	14	BNT.	4'-10"
WT5	#4	24	STR.	5'-9"
WT6	#8	24	BNT.	12'-7"
WT7	#8	6	BNT.	23'-6"

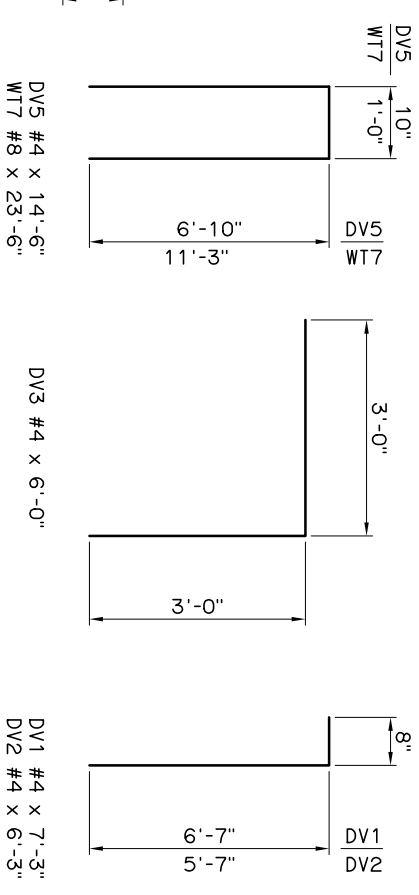
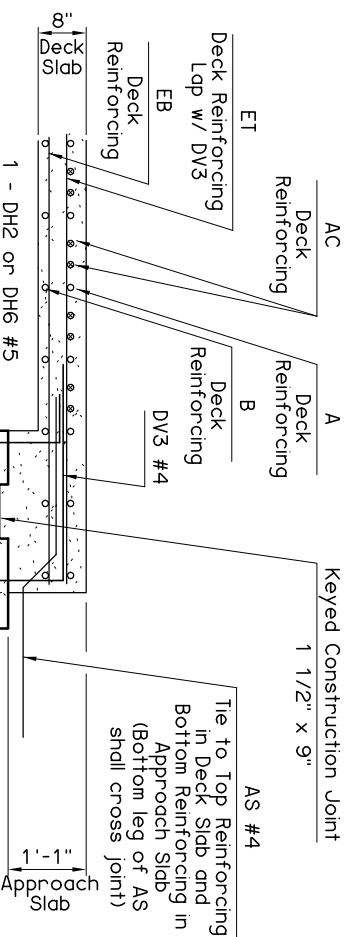
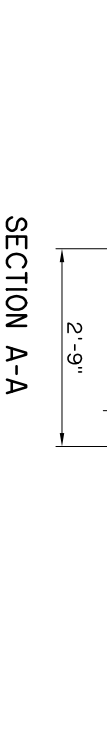
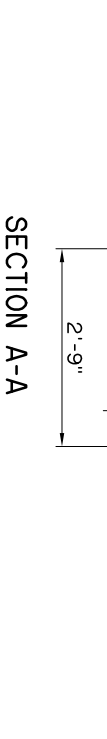


SECTION B-B

ABUTMENT DIAPHRAGM BAR LIST ONE SHOWN



SECTION A-A



APPROVED BY BRIDGE ENGINEER *Clayton* DATE 12-1-04

OKLAHOMA DEPT. OF TRANSPORTATION
BRIDGE STANDARD (ENGLISH)
ABUTMENT DIAPHRAGM DETAILS
TYPE BT-72 AND TYPE V P.C. BEAMS
INTEGRAL (SHEET 2 OF 2)

1999 SPECIFICATIONS B40-I-ADIA-PC5-2 B-178E O1E