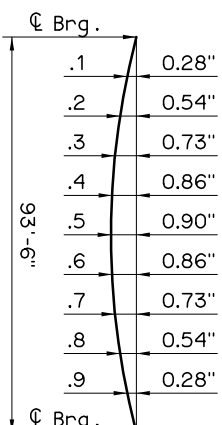


INTENTIONALLY ROUGHENED SURFACE

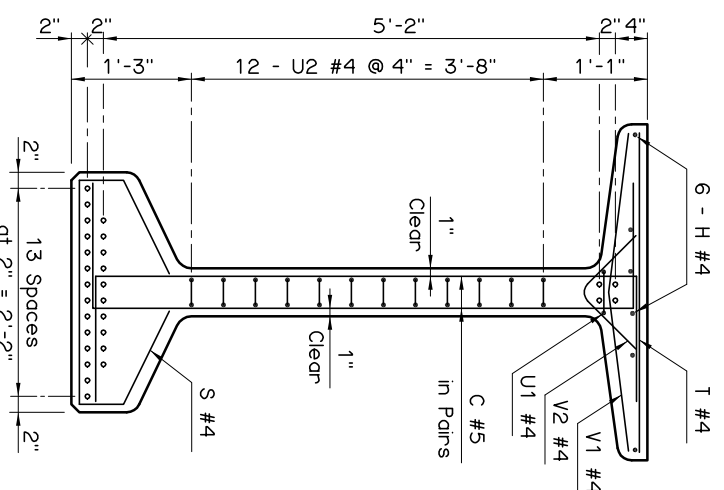
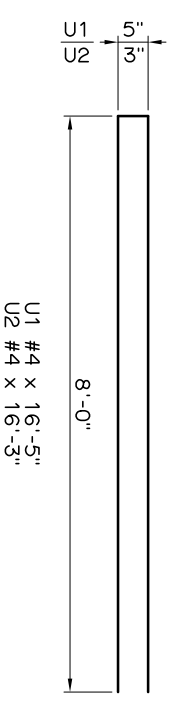
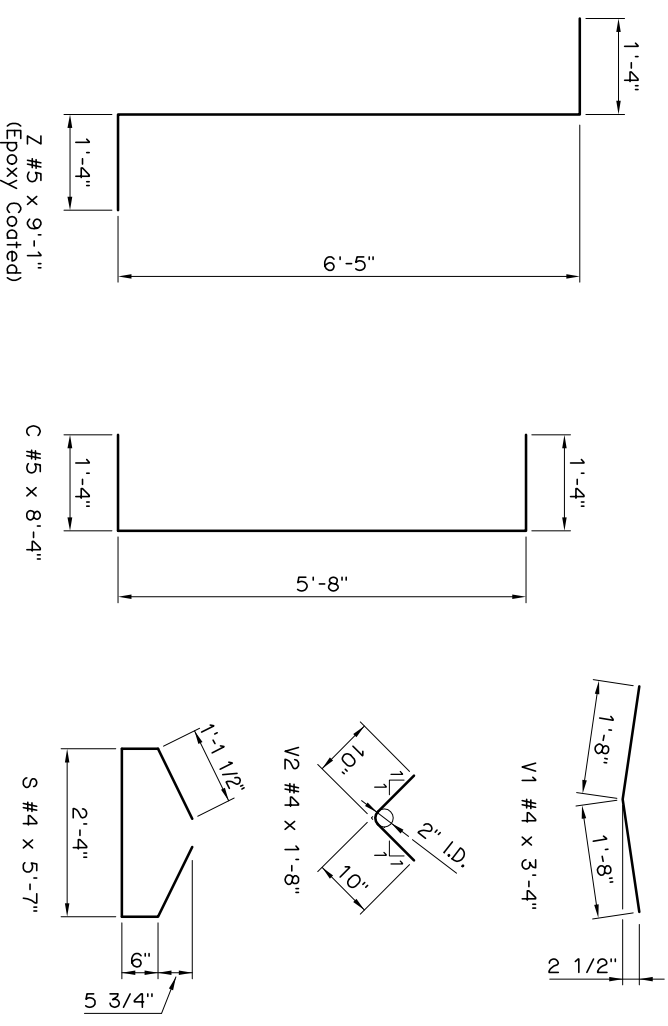
EXAMPLES

Top surface of P.C. Beams shall be intentionally roughened to a minimum height of 1/4" over a maximum pitch of 2" measured longitudinally along the length of the beam. The crest and trough associated with the height shall not be less than 1/2" and shall extend the full width of the top flange. Roughened surface may be obtained by a special trowel as shown in the examples, by cleaning the concrete surface with a stiff wire brush (or blasting) to the extent that aggregate is exposed to a height of 1/4", or by another approved method. The method used shall be submitted for approval by the Engineer. Repair any damage to reinforcement epoxy coating before placement of deck concrete.

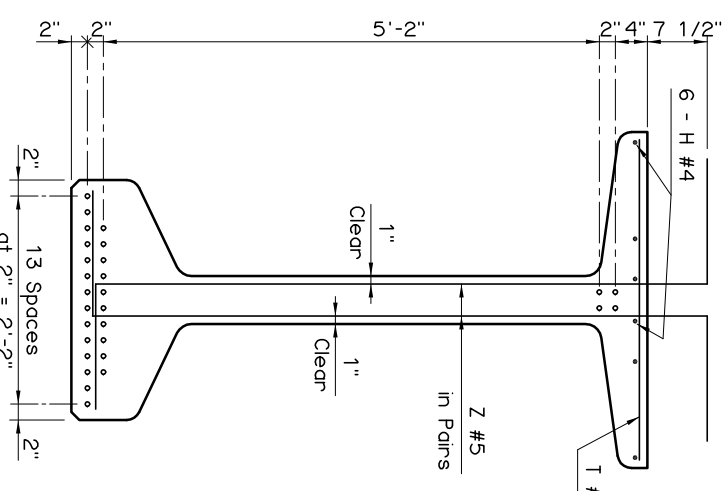


DEAD LOAD DEFLECTION DIAGRAM

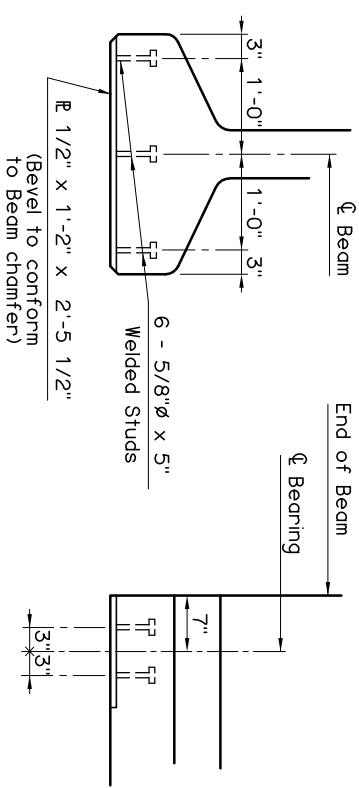
NOTE:
The Dead Load Deflection shown above at the tenth points are the initial deflections due to Deck Slab + Diaphragms + 5 p.s.f. Deck Form Allowance + Concrete Traffic Rail. It does not include the Beam weight or Future Wearing Surface.



END SECTION



END SECTION



END VIEW

ENCASED SOLE PLATE DETAILS

NOTE:
Encased Sole Plate located at each end of Beam.

BEAM SECTIONS
(28 - 0.6" ϕ STRANDS)

APPROVED BY BRIDGE ENGINEER	DATE
<i>Chad Head</i>	8/18/03
OKLAHOMA DEPT. OF TRANSPORTATION	
BRIDGE STANDARD (ENGLISH)	
TYPE J P.C. BEAM DETAILS	
95' SPAN	
(SHEET 2 OF 2)	
1999 SPECIFICATIONS	B40-I-PCB-U-95-2
OOE	B-129E