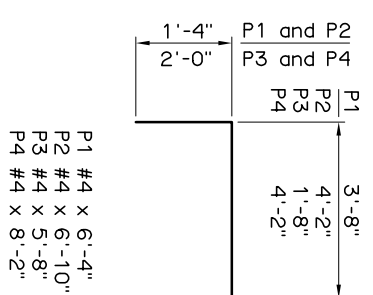
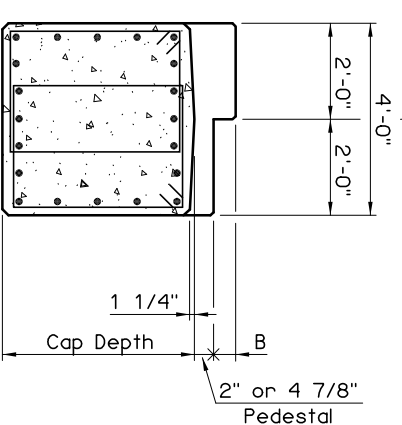
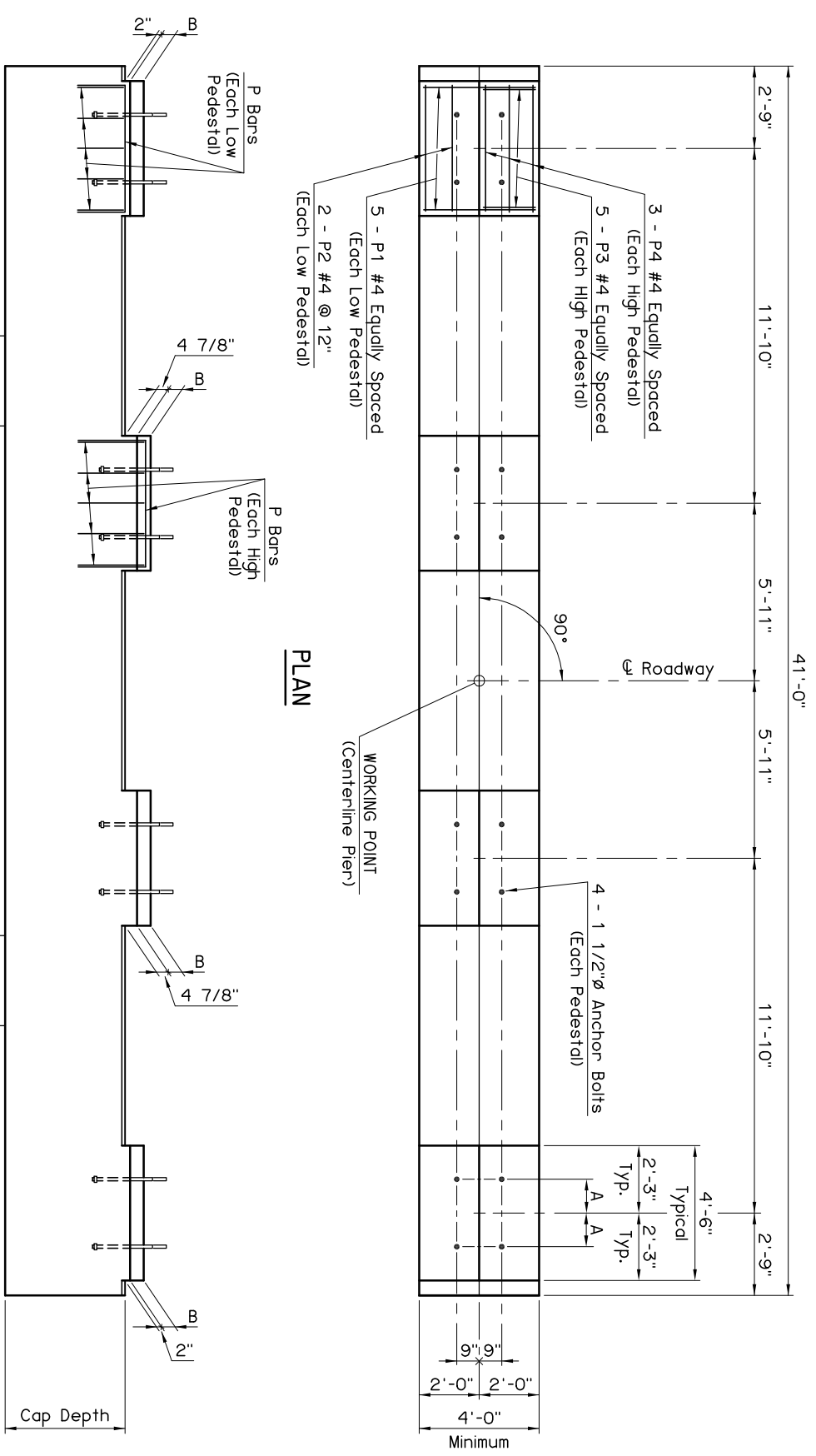


SCHEDULE FOR DIMENSION A	
BEAM TYPE	A
ROLLED BEAM 30' thru 70' SPANS	1'-0"
ROLLED BEAM 75' thru 100' SPANS	1'-3 1/2"

TABLE OF ROLLED BEAM SPAN COMBINATIONS ACCOMODATED BY SPLIT PEDESTAL PIER CAP	
SHALLOW BEAM SPAN	DEEP BEAM SPAN
30'	35' thru 50'
35'	50' thru 60'
40'	50' thru 60'
45'	50' thru 60'
50'	55' thru 95'
55'	65' thru 100'
60'	65' thru 100'
65'	85' thru 100'
70'	90' thru 100'
75'	85' thru 100'
80'	90' thru 100'
85'	100'

Cap Details shown are for informational purposes only and are to be used in a comprehensive Bridge Pier analysis and design by an Oklahoma Registered Professional Engineer. Analysis of Bridge Pier shall account for, but is not limited to, application of collision forces (if necessary).

SHALLOW BEAM SPAN	SCHEDULE FOR DIMENSION B FOR ROLLED BEAMS													
	DEEP BEAM SPAN					SHALLOW BEAM SPAN								
30'	35'	40'	45'	50'	55'	60'	65'	70'	75'	80'	85'	90'	95'	100'
2 3/4"	2 7/8"	2 3/4"	5 3/8"	2 5/8"	5"	5 3/8"	2 5/8"	5"	2 5/8"	3"	3 3/8"	3 3/8"	3 3/8"	3 3/4"
			2 5/8"	2 1/2"	4 7/8"	5 1/4"	5"	5 3/8"	5"	5 3/8"	5 3/4"	6 1/8"	6 1/4"	6 1/8"
			2 5/8"	2 5/8"	5"	5 3/8"	2 5/8"	5"	2 5/8"	3"	3 3/8"	3 3/4"	3 7/8"	4 1/8"
				2 3/8"	5"	5 3/8"	2 1/4"	5"	2 5/8"	3"	3 3/8"	3 3/8"	3 1/2"	3 3/4"
				2 5/8"	2 5/8"	2 5/8"	2 1/4"	2 5/8"	2 5/8"	2 5/8"	3/4"	1 1/8"	1 1/4"	1 1/2"
											3/4"	1 1/8"	1 1/4"	1 1/8"
											3/4"	1 1/8"	1 1/4"	1 1/2"
											3/4"	7/8"	1 1/4"	1 1/2"
												7/8"	1 1/8"	1 1/8"
													1 1/8"	3/4"



PIER PEDESTAL BAR LIST			
MARK	SIZE	FORM	LENGTH
EPOXY COATED REINFORCING			
P1	#4	BNT.	6'-4"
P2	#4	BNT.	6'-10"
P3	#4	BNT.	5'-8"
P4	#4	BNT.	8'-2"

NOTE: Cap reinforcing shown is for illustration only.

APPROVED BY BRIDGE ENGINEER *Chad Head* DATE *8/18/09*

OKLAHOMA DEPT. OF TRANSPORTATION  
BRIDGE STANDARD (ENGLISH)

**SPLIT PEDESTAL PIER CAP DETAILS**

1999 SPECIFICATIONS | B40-PIER-SPED | OOE | B-30E