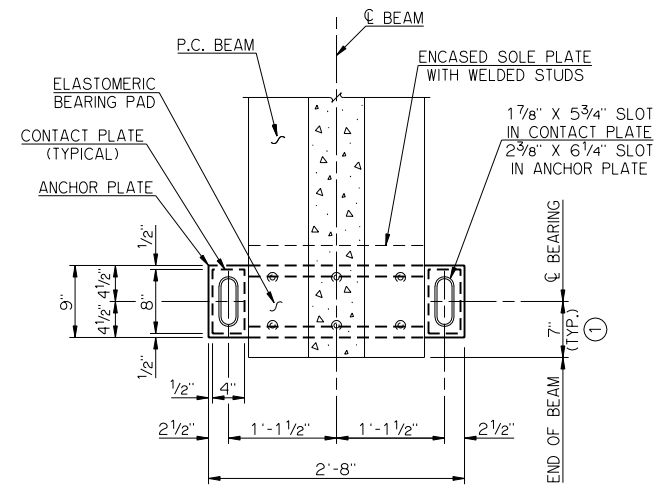
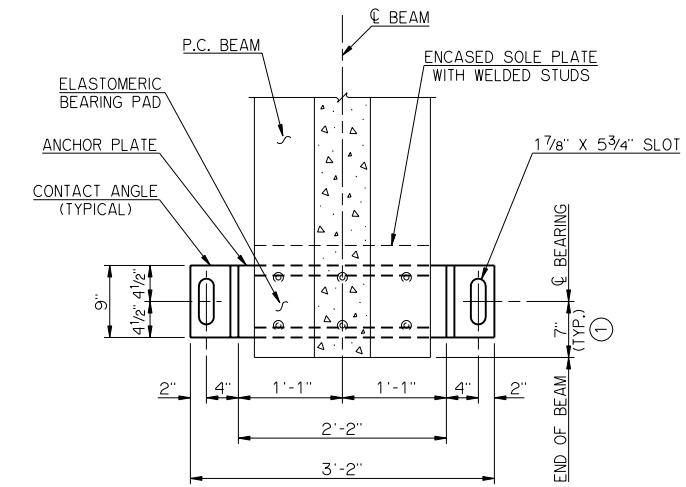


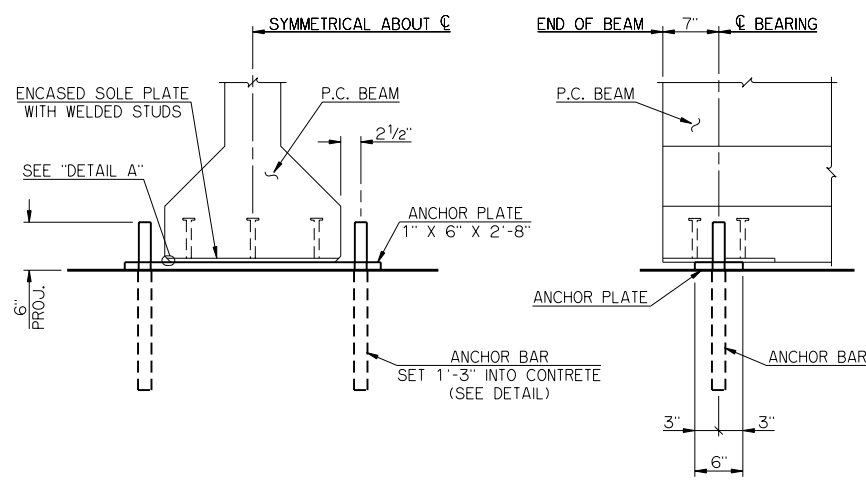
PLAN  
ANCHOR BARS NOT SHOWN



PLAN  
ANCHOR BOLT ASSEMBLIES NOT SHOWN

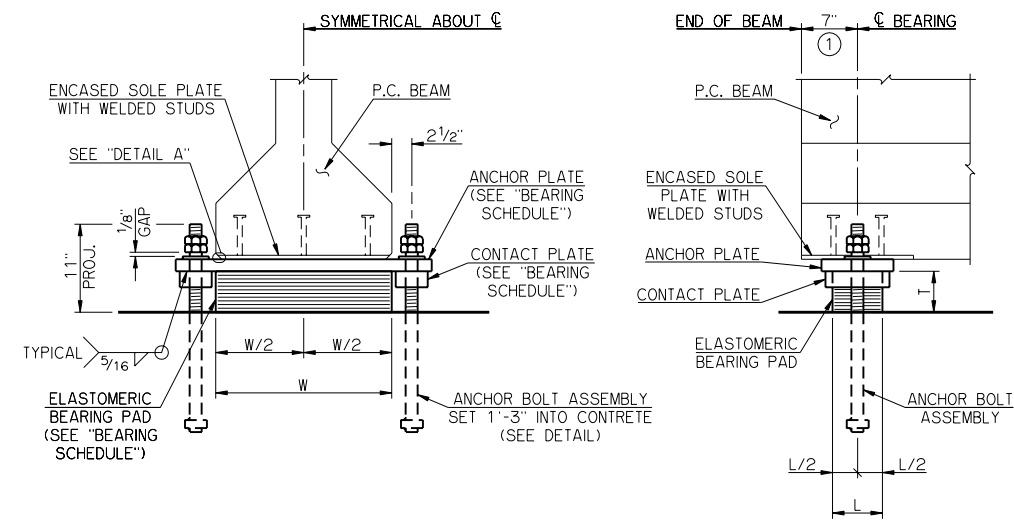


PLAN  
ANCHOR BOLT ASSEMBLIES NOT SHOWN



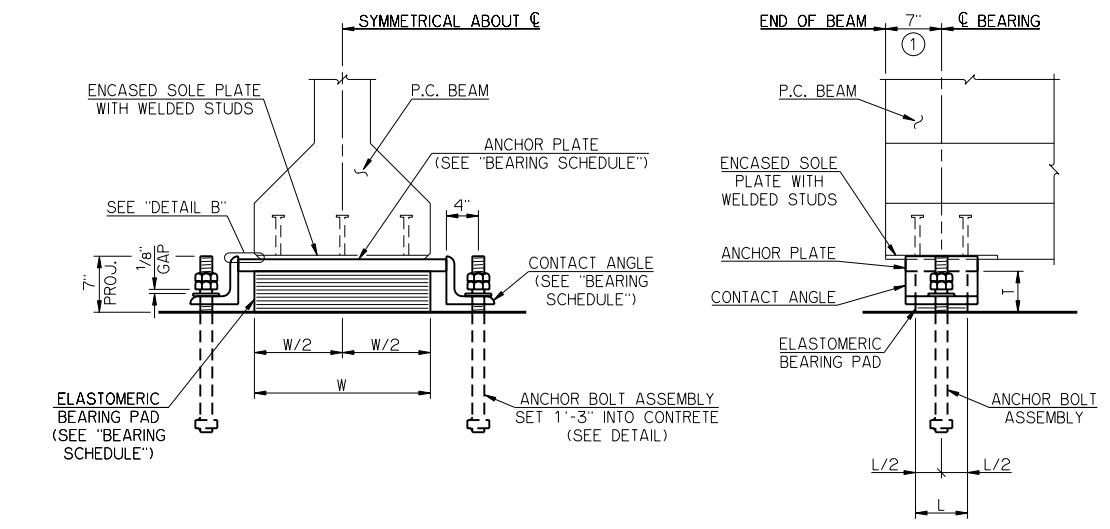
END VIEW SIDE VIEW

ABUTMENT BEARING DETAILS



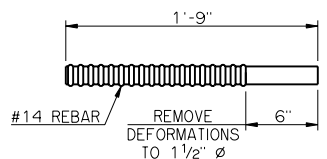
END VIEW SIDE VIEW

PIER BEARING DETAILS  
60' THRU 75' SPANS

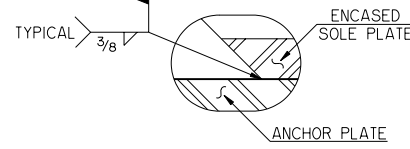


END VIEW SIDE VIEW

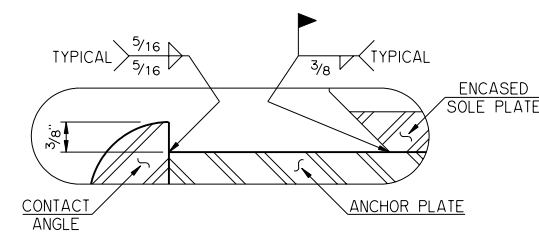
PIER BEARING DETAILS  
80' THRU 90' SPANS



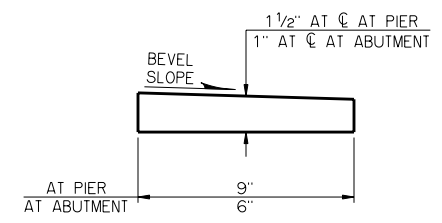
ANCHOR BAR DETAIL



DETAIL A

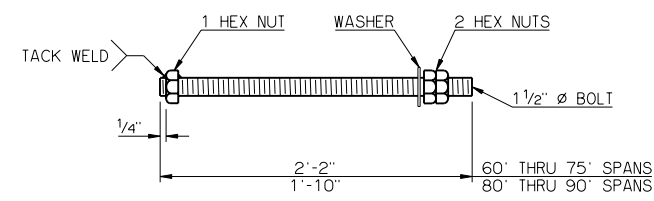


DETAIL B



BEVELED ANCHOR PLATE DETAIL

BEVELED ANCHOR PLATE IS REQUIRED WHEN ANGLE BETWEEN UNDERSIDE OF BEAM AND HORIZONTAL EXCEEDS 1.0%. BEVEL SLOPE TO MATCH ANGLE BETWEEN BEAM AND HORIZONTAL. PAINT THICKER EDGE RED.



ANCHOR BOLT ASSEMBLY DETAIL

SPAN	ANCHOR PLATE	CONTACT PLATE OR CONTACT ANGLE	60 DUROMETER ELASTOMERIC BEARING PAD			MAXIMUM EXPANSION LENGTH WITHOUT BONDING
			SIZE (T X L X W)	COVER LAYER	INNER LAYER	
60'	1 1/2" X 9" X 2'-8"	1 1/4" X 4" X 8"	5 1/8" X 6" X 1'-10"	2-1/4"	9-3/8"	280'
65'	1 1/2" X 9" X 2'-8"	1 1/2" X 4" X 8"	5 1/8" X 6" X 1'-10"	2-1/4"	9-3/8"	305'
70'	1 1/2" X 9" X 2'-8"	1 3/4" X 4" X 8"	5 1/8" X 6 1/16" X 1'-10"	2-1/4"	9-3/8"	320'
75'	1 1/2" X 9" X 2'-8"	2" X 4" X 8"	5 1/8" X 6 1/4" X 1'-10"	2-1/4"	9-3/8"	335'
80'	1 1/2" X 9" X 2'-2"	L 6 X 6 X 1 X 9"	5 1/8" X 6 1/4" X 1'-10"	2-1/4"	9-3/8"	360'
85'	1 1/2" X 9" X 2'-2"	L 6 X 6 X 1 X 9"	5 1/8" X 6 1/2" X 1'-10"	2-1/4"	9-3/8"	380'
90'	1 1/2" X 9" X 2'-2"	L 6 X 6 X 1 X 9"	5 1/8" X 6 1/2" X 1'-10"	2-1/4"	9-3/8"	380'

① ANCHOR BOLTS SHALL BE CENTERED IN SLOTS DURING SETTING OF BEAMS. DIMENSION MAY VARY DEPENDING ON TEMPERATURE AT THE TIME OF BEAM SETTING.

APPROVED BY BRIDGE ENGINEER *Robert J. Rusk* DATE 10/16/05  
 OKLAHOMA DEPARTMENT OF TRANSPORTATION  
 COUNTY BRIDGE STANDARD (ENGLISH)  
**BEARING DETAILS  
 TYPE III AND TYPE C P.C. BEAMS**  
 32' CLEAR ROADWAY - INTEGRAL - SKEWED 0°  
 1999 STANDARD SPECIFICATIONS CB32-I-SKO-BRG-PC3 OOE  
 CB-889E