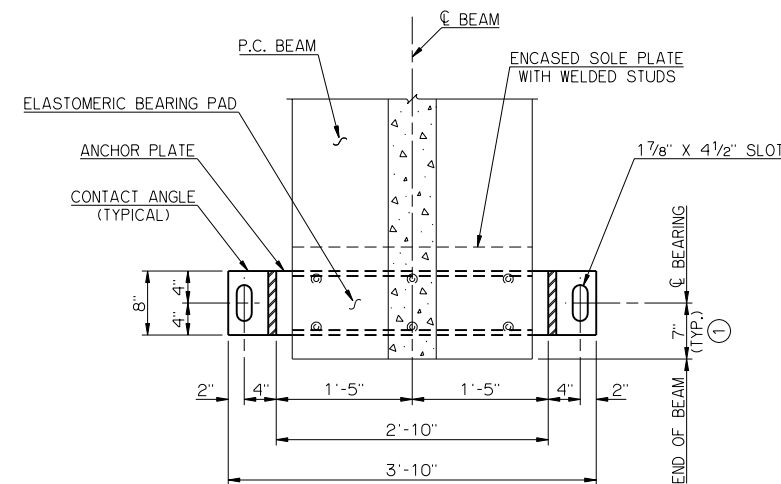
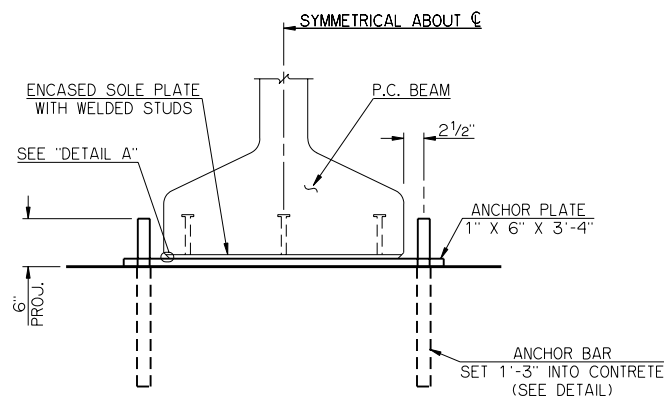


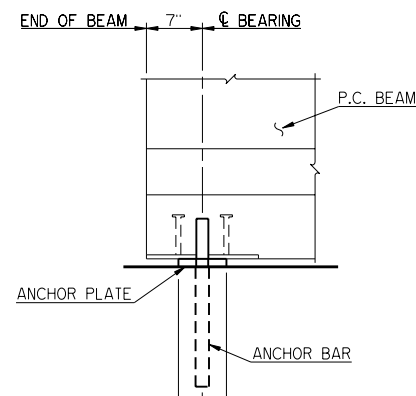
PLAN
ANCHOR BARS NOT SHOWN



PLAN
ANCHOR BOLT ASSEMBLIES NOT SHOWN

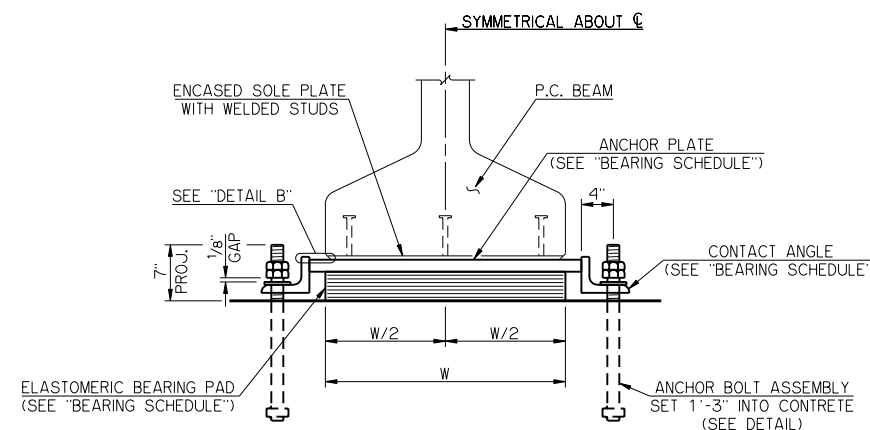


END VIEW

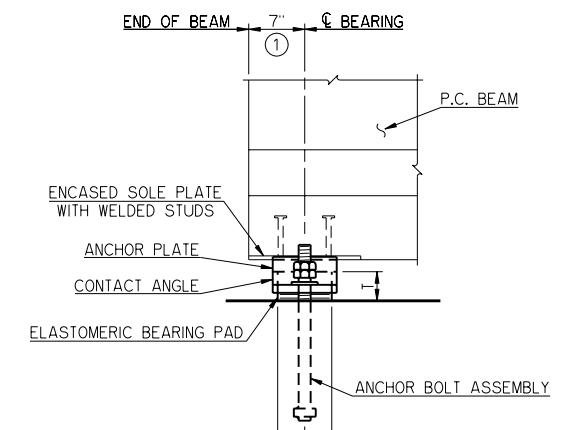


SIDE VIEW

ABUTMENT BEARING DETAILS

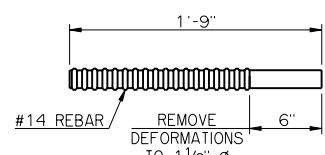


END VIEW

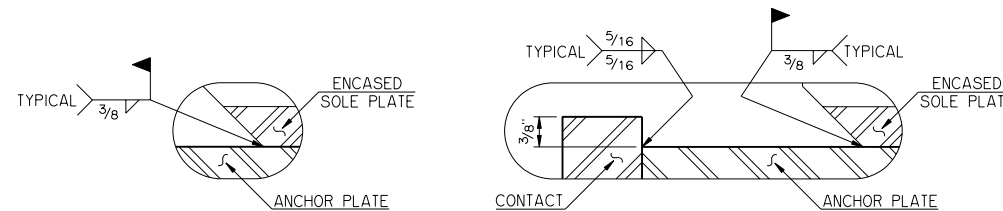


SIDE VIEW

PIER BEARING DETAILS

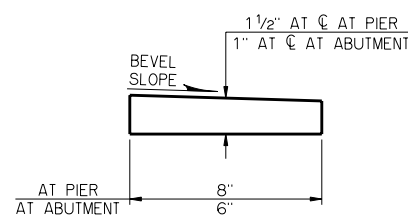


ANCHOR BAR DETAIL



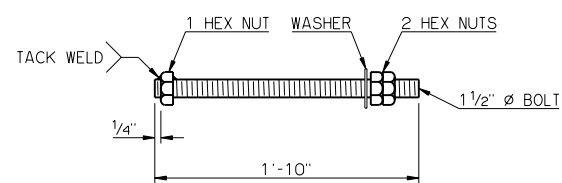
DETAIL A

DETAIL B



BEVELED ANCHOR PLATE DETAIL

BEVELED ANCHOR PLATE IS REQUIRED WHEN ANGLE BETWEEN UNDERSIDE OF BEAM AND HORIZONTAL EXCEEDS 1.0%. BEVEL SLOPE TO MATCH ANGLE BETWEEN BEAM AND HORIZONTAL. PAINT THICKER EDGE RED.



ANCHOR BOLT ASSEMBLY DETAIL

SPAN	ANCHOR PLATE	CONTACT ANGLE ②	60 DUROMETER ELASTOMERIC BEARING PAD			MAXIMUM EXPANSION LENGTH WITHOUT BONDING	
			SIZE (T X L X W)	COVER LAYER	INNER LAYER		
110'	1 1/2" X 8" X 2'-10"	6 X 4 1/2 X 1 X 8"	3 5/8" x 6 3/8" x 2'-6"	2-1/4"	6-3/8"	7-1/8"	270'
115'	1 1/2" X 8" X 2'-10"	6 X 4 1/2 X 1 X 8"	3 5/8" x 6 3/8" x 2'-6"	2-1/4"	6-3/8"	7-1/8"	270'
120'	1 1/2" X 8" X 2'-10"	6 X 4 1/2 X 1 X 8"	3 5/8" x 6 3/8" x 2'-6"	2-1/4"	6-3/8"	7-1/8"	270'
125'	1 1/2" X 8" X 2'-10"	6 X 4 1/2 X 1 X 8"	3 5/8" x 6 1/2" x 2'-6"	2-1/4"	6-3/8"	7-1/8"	270'
130'	1 1/2" X 8" X 2'-10"	6 X 4 1/2 X 1 X 8"	3 5/8" x 6 3/8" x 2'-6"	2-1/4"	6-3/8"	7-1/8"	270'
135'	1 1/2" X 8" X 2'-10"	6 X 4 1/2 X 1 X 8"	3 5/8" x 6 3/4" x 2'-6"	2-1/4"	6-3/8"	7-1/8"	270'

① ANCHOR BOLTS SHALL BE CENTERED IN SLOTS DURING SETTING OF BEAMS. DIMENSION MAY VARY AT EXPANSION BEARING DEPENDING ON TEMPERATURE AT THE TIME OF BEAM SETTING.

② FABRICATE L 6 X 4 1/2 X 1 BY CUTTING 1 1/2" FROM VERTICAL LEG OF L 6 X 6 X 1.

APPROVED BY BRIDGE ENGINEER *Robert A. Neusch* DATE 10/16/08

OKLAHOMA DEPARTMENT OF TRANSPORTATION
COUNTY BRIDGE STANDARD (ENGLISH)

**BEARING DETAILS
TYPE J P.C. BEAMS**

26' CLEAR ROADWAY - INTEGRAL - SKEWED 0°

1999 STANDARD SPECIFICATIONS CB26-I-SKO-BRG-PC5 OOE CB-508E