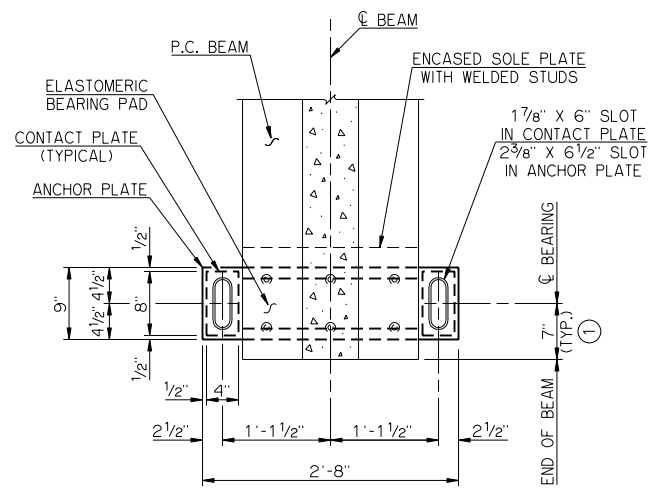
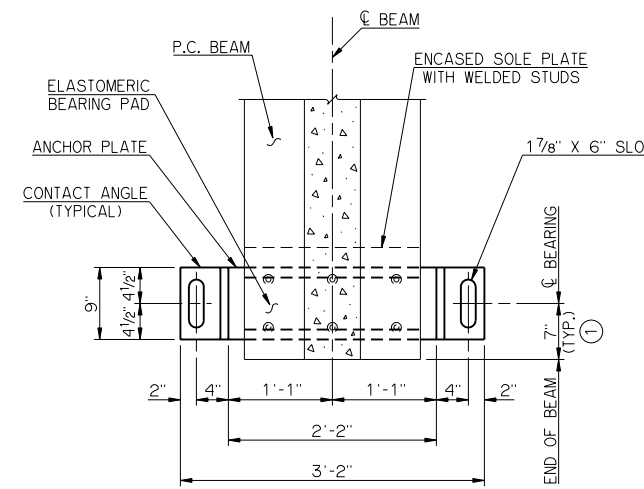


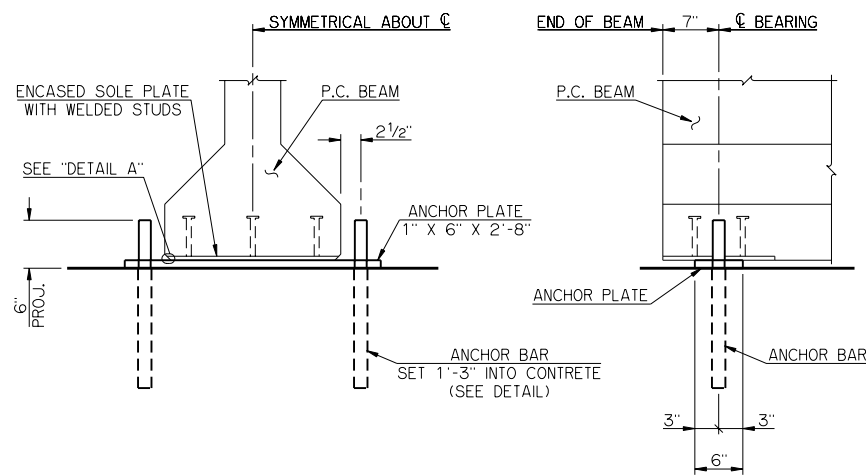
PLAN
ANCHOR BARS NOT SHOWN



PLAN
ANCHOR BOLT ASSEMBLIES NOT SHOWN



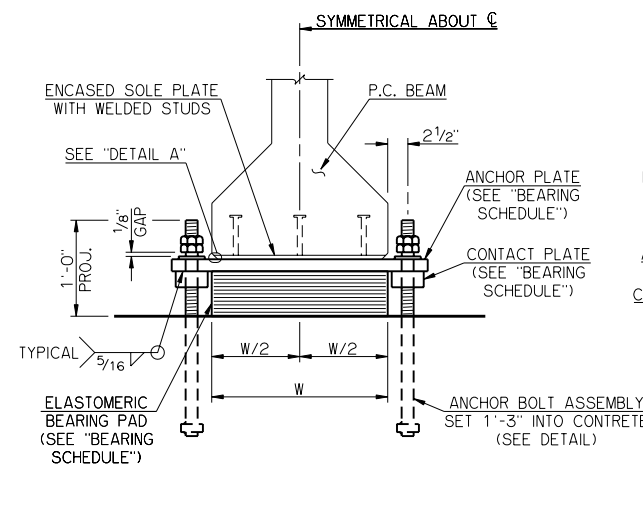
PLAN
ANCHOR BOLT ASSEMBLIES NOT SHOWN



END VIEW

SIDE VIEW

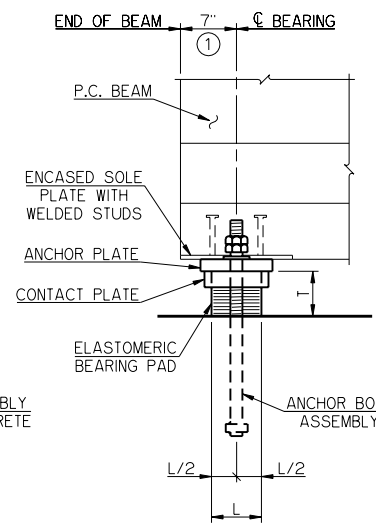
ABUTMENT BEARING DETAILS



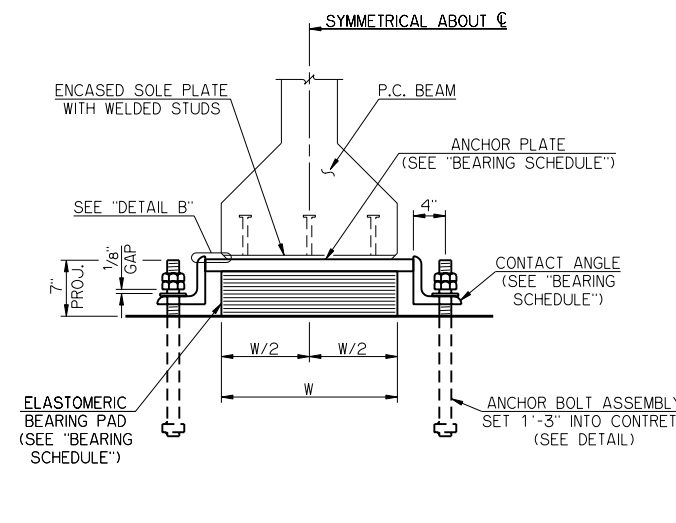
END VIEW

SIDE VIEW

PIER BEARING DETAILS
60' SPAN



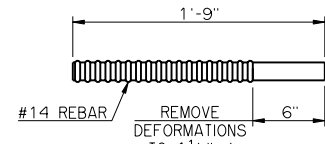
SIDE VIEW



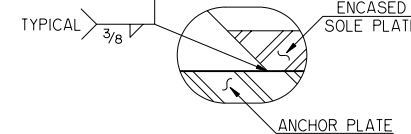
END VIEW

SIDE VIEW

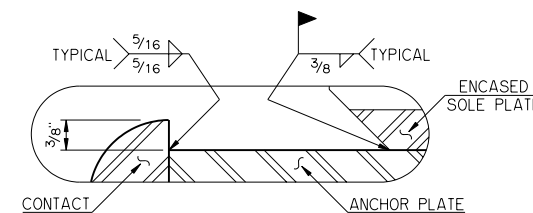
PIER BEARING DETAILS
65' THRU 85' SPANS



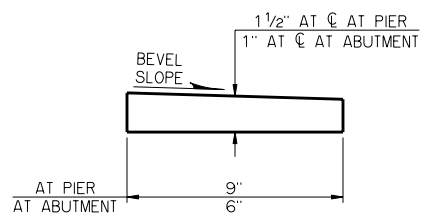
ANCHOR BAR DETAIL



DETAIL A

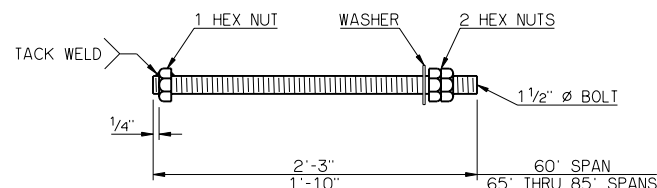


DETAIL B



BEVELED ANCHOR PLATE DETAIL

BEVELED ANCHOR PLATE IS REQUIRED WHEN ANGLE BETWEEN UNDERSIDE OF BEAM AND HORIZONTAL EXCEEDS 1.0%. BEVEL SLOPE TO MATCH ANGLE BETWEEN BEAM AND HORIZONTAL. PAINT THICKER EDGE RED.



ANCHOR BOLT ASSEMBLY DETAIL

SPAN	ANCHOR PLATE	CONTACT PLATE OR CONTACT ANGLE	60 DUROMETER ELASTOMERIC BEARING PAD			MAXIMUM EXPANSION LENGTH WITHOUT BONDING
			SIZE (T X L X W)	COVER LAYER	INNER LAYER	
60'	1 1/2" X 9" X 2'-8"	2" X 4" X 8"	5 7/8" x 6 1/2" x 1'-10"	2-1/4"	10-3/8"	315'
65'	1 1/2" X 9" X 2'-2"	L 6 X 6 X 1 X 9"	5 7/8" x 6 1/2" x 1'-10"	2-1/4"	10-3/8"	340'
70'	1 1/2" X 9" X 2'-2"	L 6 X 6 X 1 X 9"	5 7/8" x 6 3/4" x 1'-10"	2-1/4"	10-3/8"	360'
75'	1 1/2" X 9" X 2'-2"	L 6 X 6 X 1 X 9"	5 7/8" x 6 3/4" x 1'-10"	2-1/4"	10-3/8"	380'
80'	1 1/2" X 9" X 2'-2"	L 6 X 6 X 1 X 9"	5 7/8" x 6 3/4" x 1'-10"	2-1/4"	10-3/8"	420'
85'	1 1/2" X 9" X 2'-2"	L 6 X 6 X 1 X 9"	5 7/8" x 6 7/8" x 1'-10"	2-1/4"	10-3/8"	420'

① ANCHOR BOLTS SHALL BE CENTERED IN SLOTS DURING SETTING OF BEAMS. DIMENSION MAY VARY DEPENDING ON TEMPERATURE AT THE TIME OF BEAM SETTING.

APPROVED BY BRIDGE ENGINEER *Robert A. Nease* DATE 10/16/05
 OKLAHOMA DEPARTMENT OF TRANSPORTATION
 COUNTY BRIDGE STANDARD (ENGLISH)
**BEARING DETAILS
 TYPE III AND TYPE C P.C. BEAMS**
 26' CLEAR ROADWAY - INTEGRAL - SKEWED 0°
 1999 STANDARD SPECIFICATIONS CB26-I-SKO-BRG-PC3 OOE CB-506E