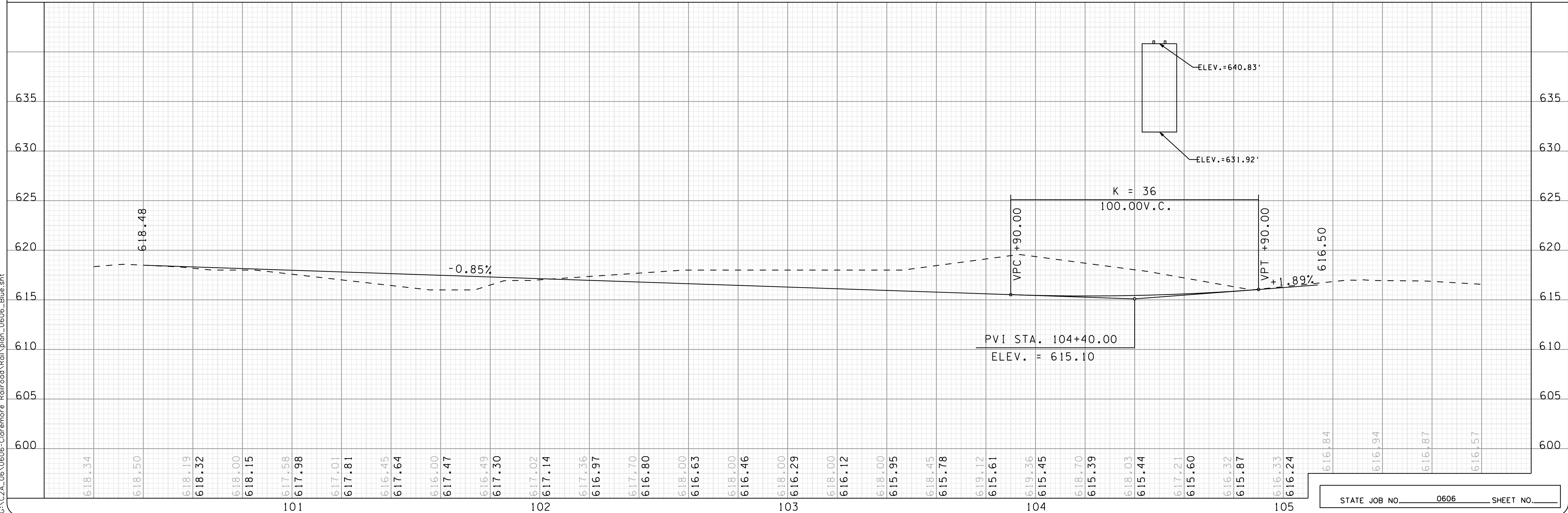
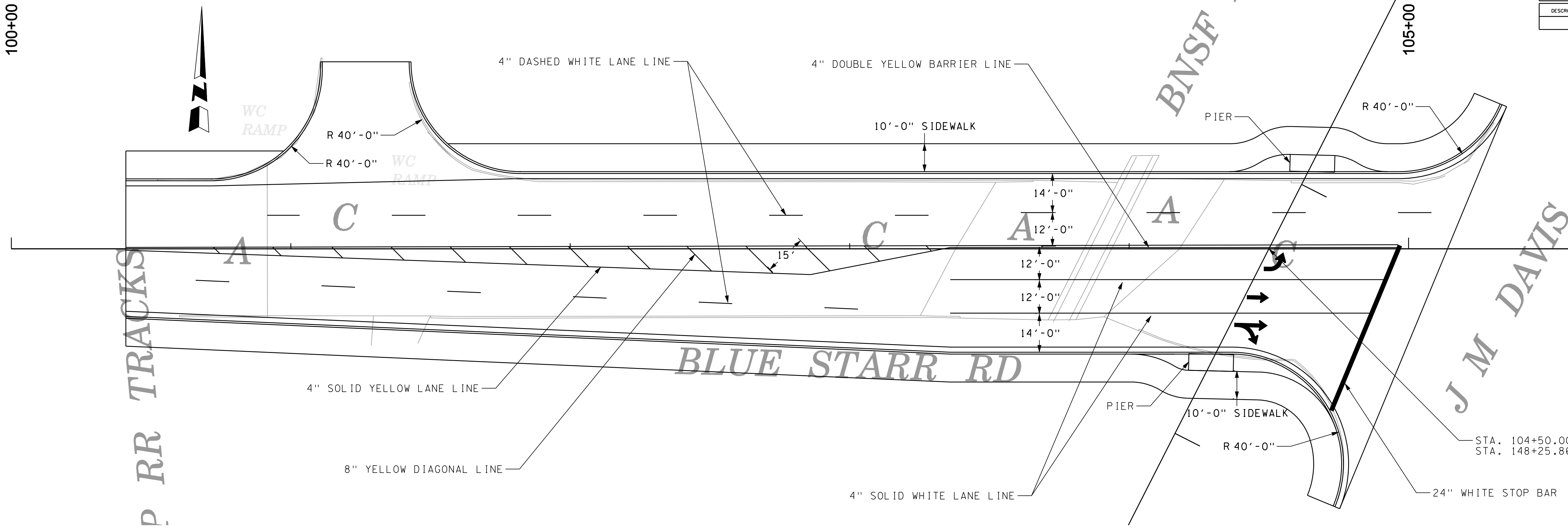
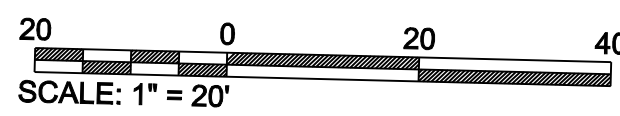
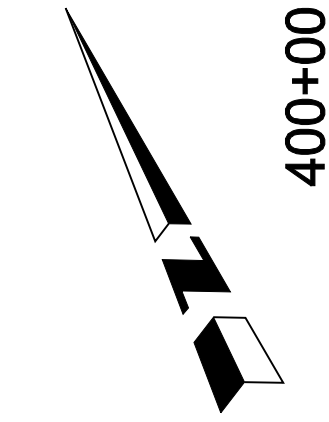
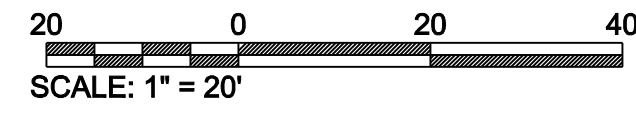


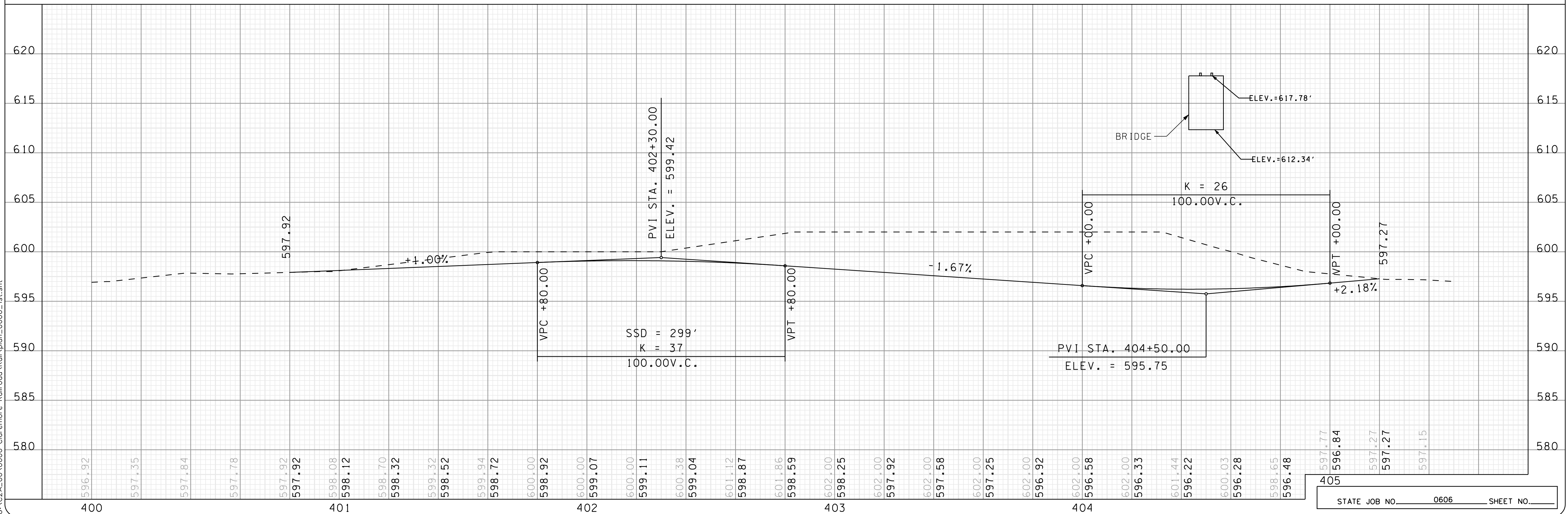
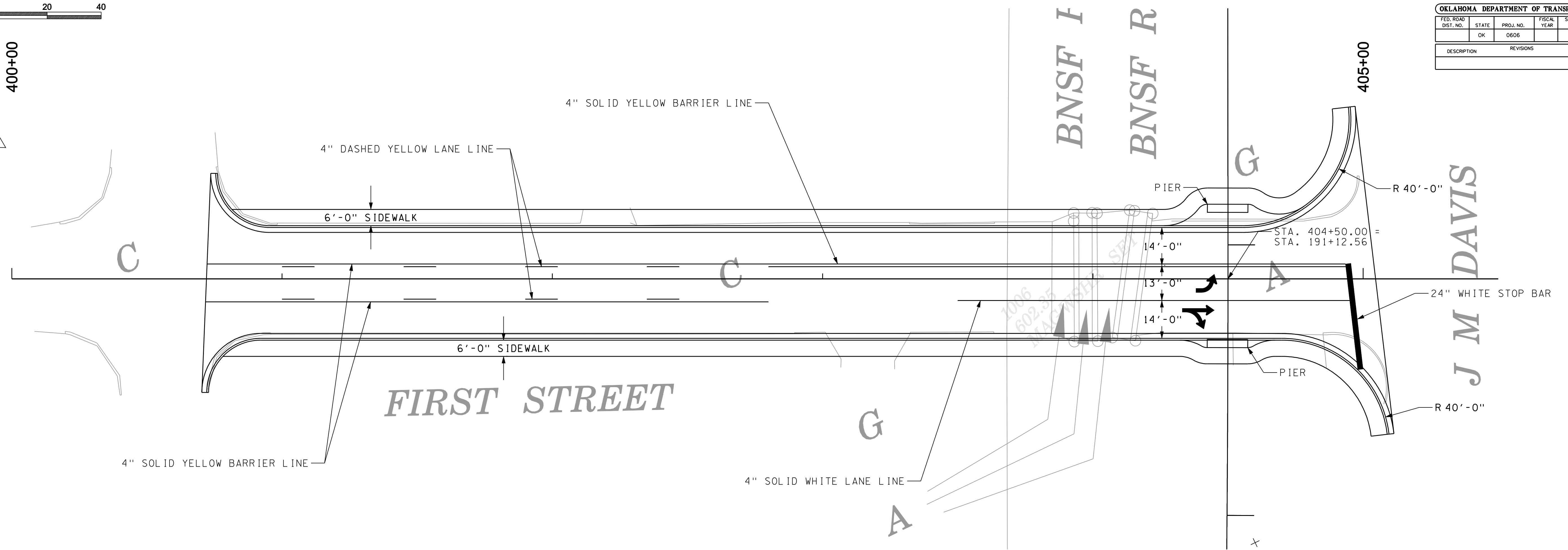
OKLAHOMA DEPARTMENT OF TRANSPORTATION				
FED. ROAD DIST. NO.	STATE	PROJ. NO.	FISCAL YEAR	SHEET NO. / TOTAL SHEETS
	OK	0606		XX / XX
DESCRIPTION		REVISIONS	DATE	



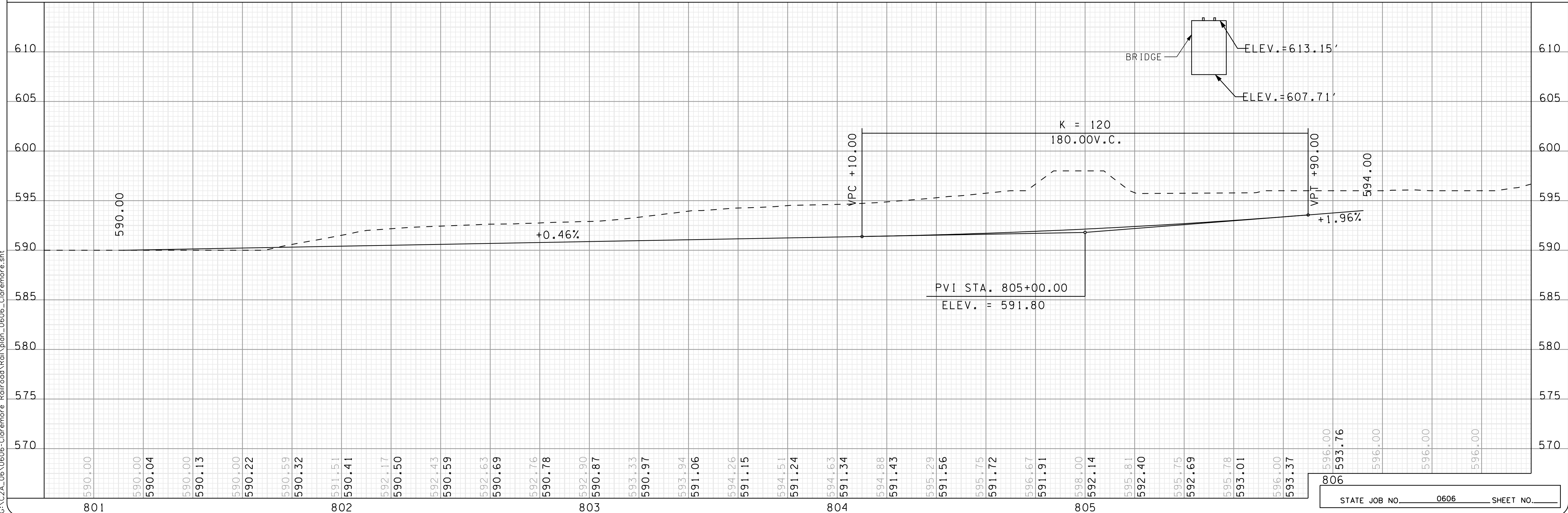
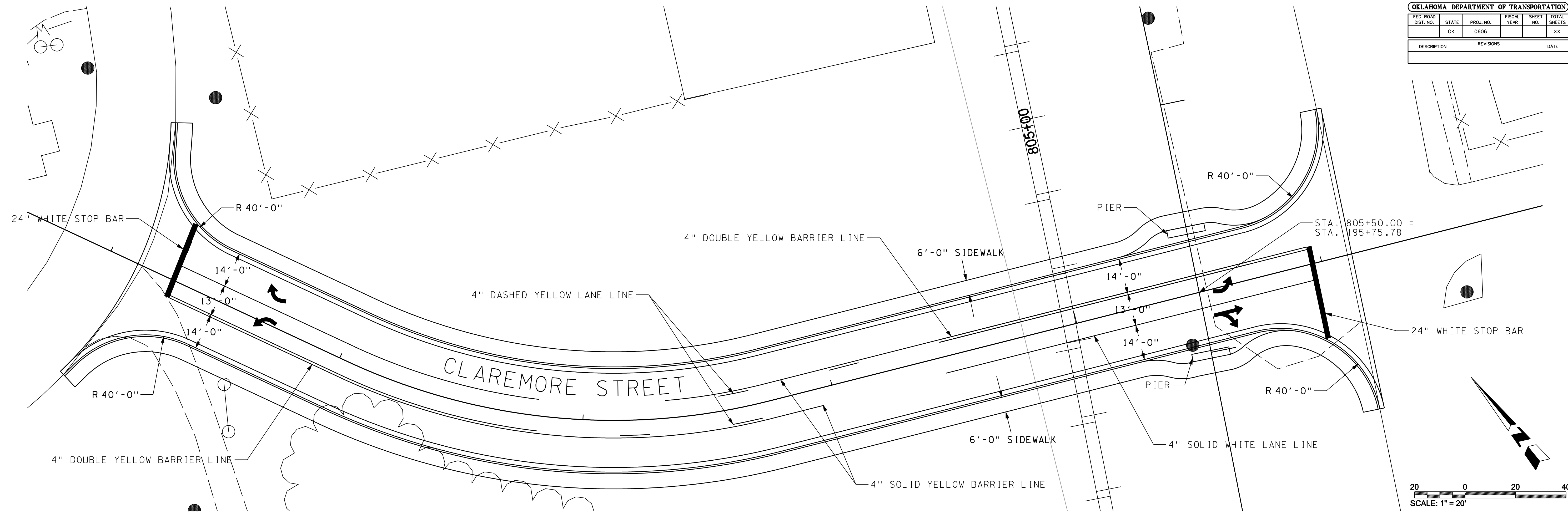
G:\C2A_06\0606-Cloremore Railroad\Rail\plan_0606_Blue.sht



OKLAHOMA DEPARTMENT OF TRANSPORTATION					
FED. ROAD DIST. NO.	STATE	PROJ. NO.	FISCAL YEAR	SHEET NO.	TOTAL SHEETS
	OK	0606			XX
DESCRIPTION		REVISIONS		DATE	

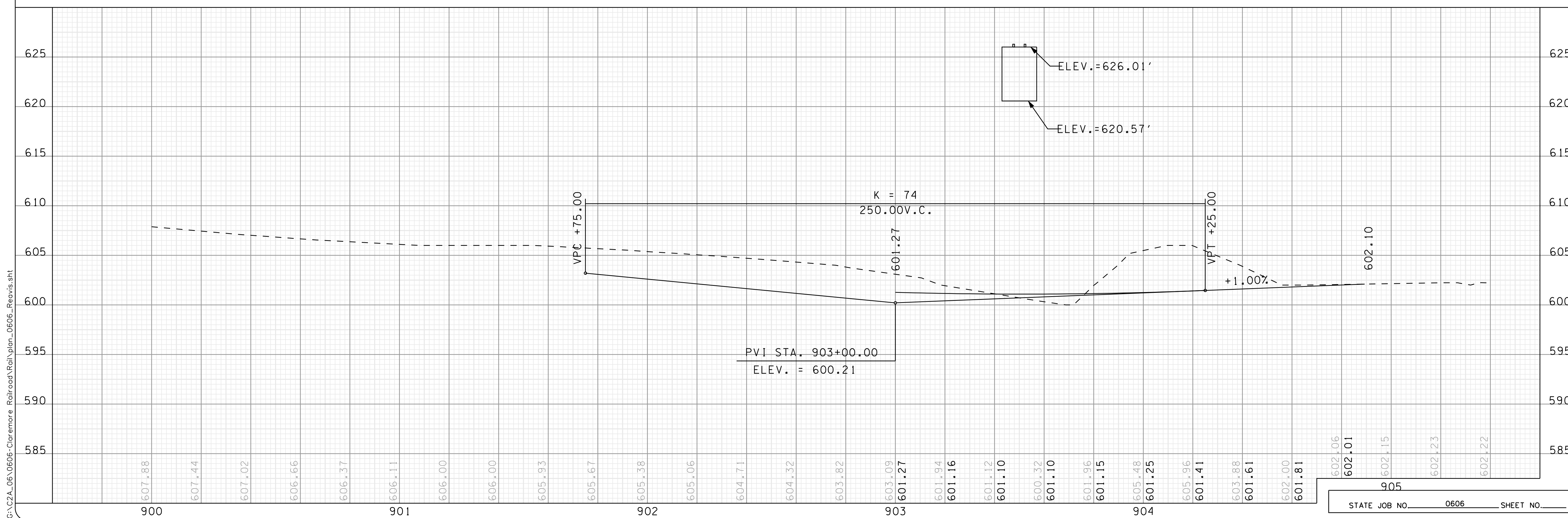
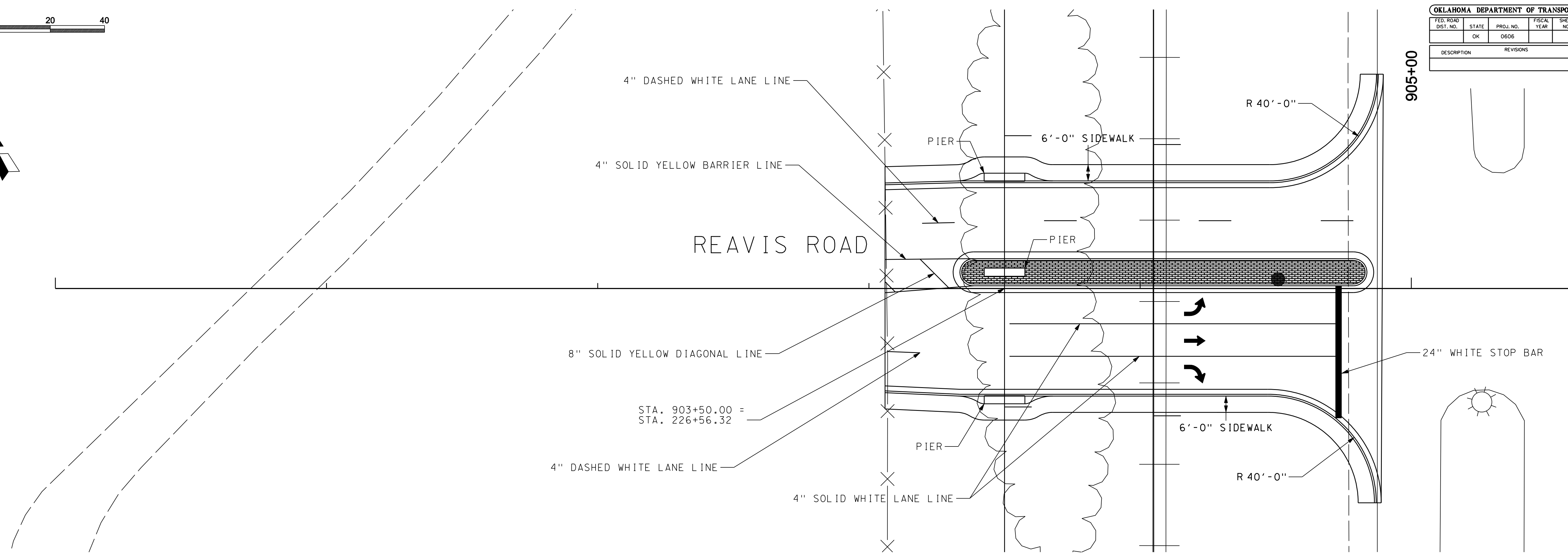


G:\C2A_06\0606-Cloremore Railroad\Rail\plan_0606_1st.sht

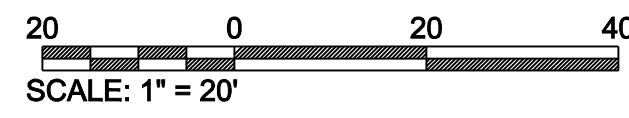




OKLAHOMA DEPARTMENT OF TRANSPORTATION					
FED. ROAD DIST. NO.	STATE	PROJ. NO.	FISCAL YEAR	SHEET NO.	TOTAL SHEETS
	OK	0606		XX	XX
DESCRIPTION		REVISIONS		DATE	



G:\C2A_06\0606-Cloremore Railroad\Rail\plan_0606_Reavis.sht



OKLAHOMA DEPARTMENT OF TRANSPORTATION				
FED. ROAD DIST. NO.	STATE	PROJ. NO.	FISCAL YEAR	SHEET NO. / TOTAL SHEETS
	OK	0606		XX / XX
DESCRIPTION		REVISIONS	DATE	

