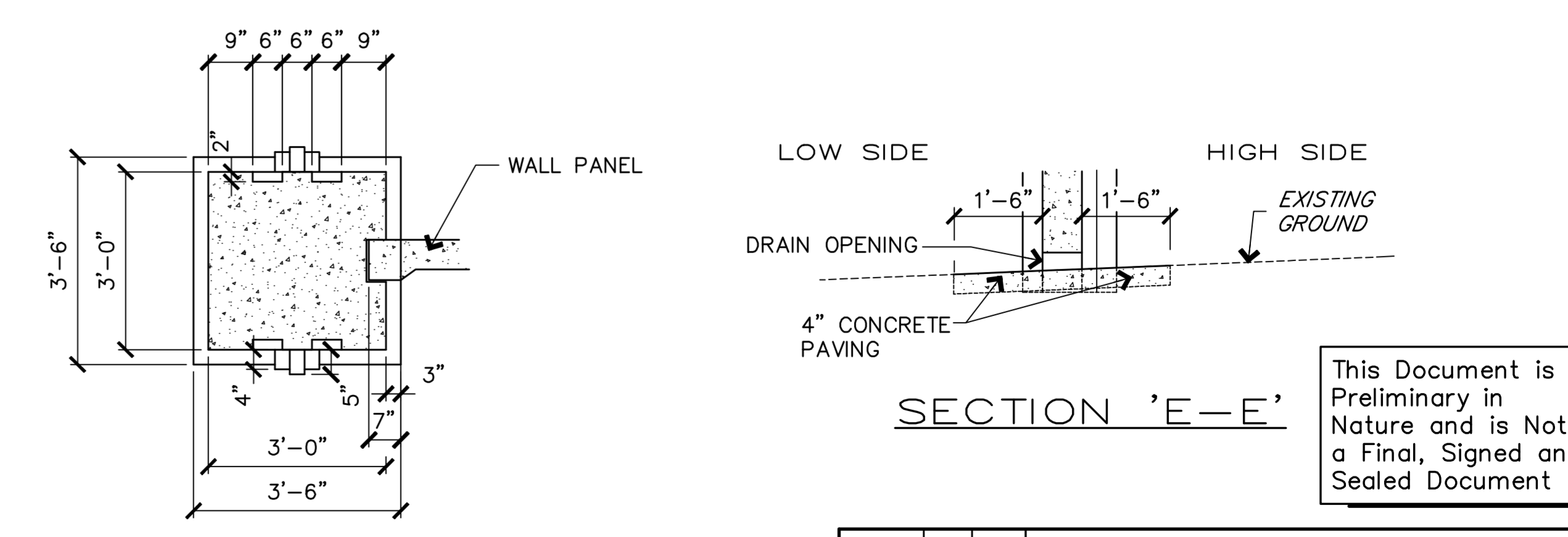
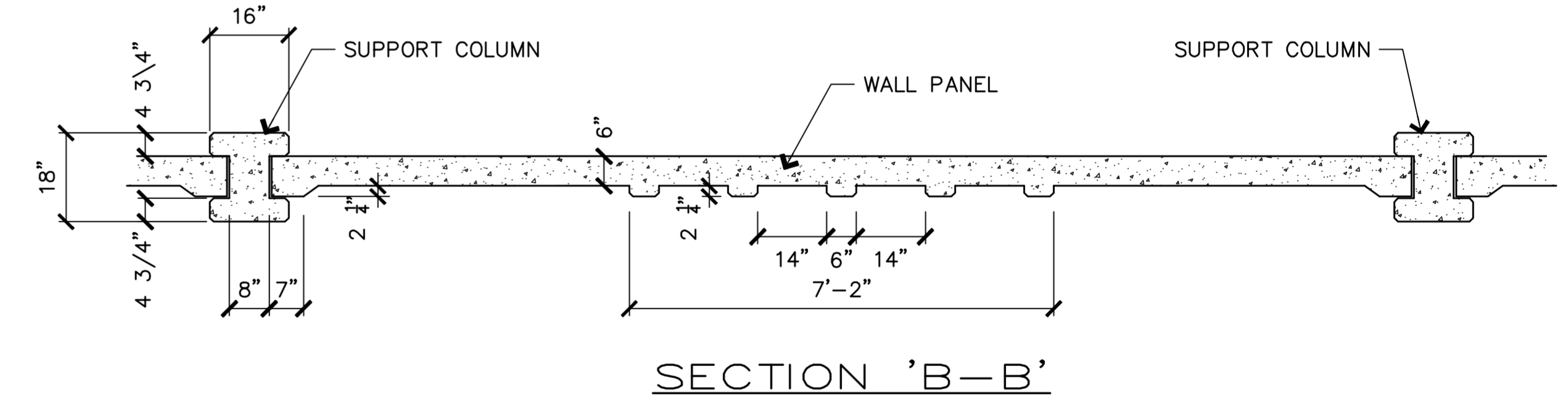
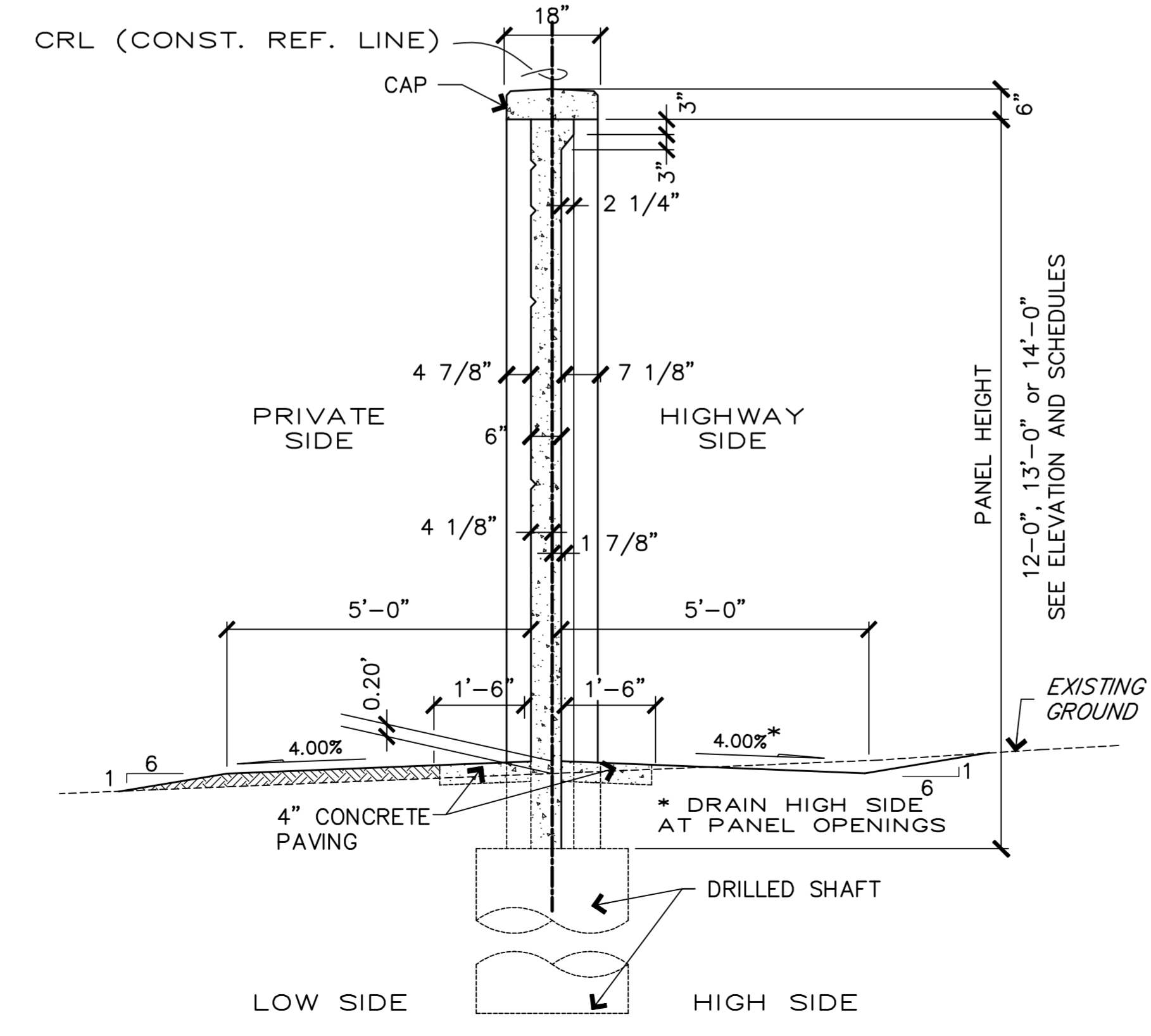
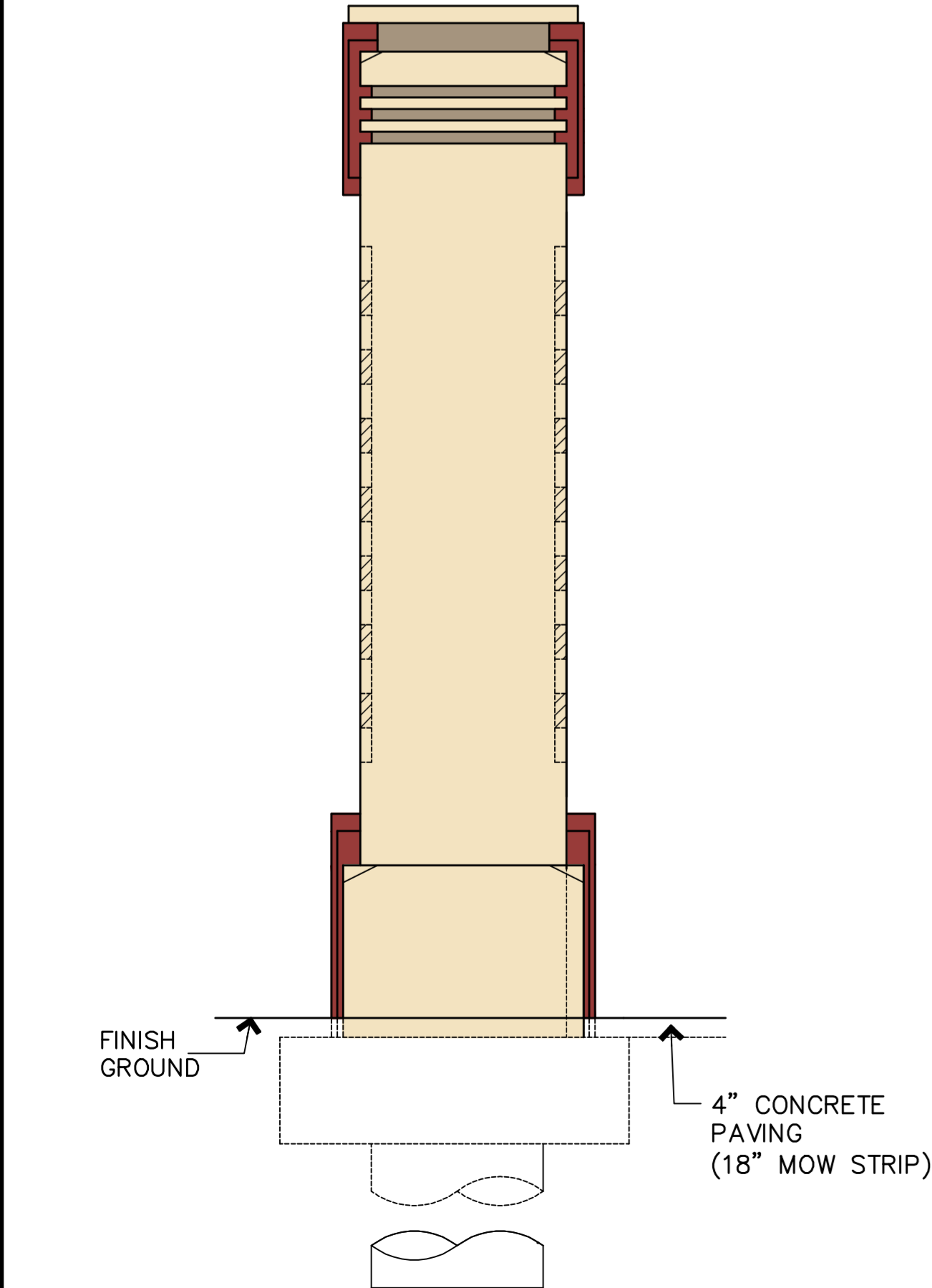


ELEVATION - END COLUMN  
FRONT AND BACK

ELEVATION - PRIVATE SIDE

ELEVATION - HIGHWAY SIDE

TYPICAL WALL ELEVATIONS



This Document is Preliminary in Nature and is Not a Final, Signed and Sealed Document

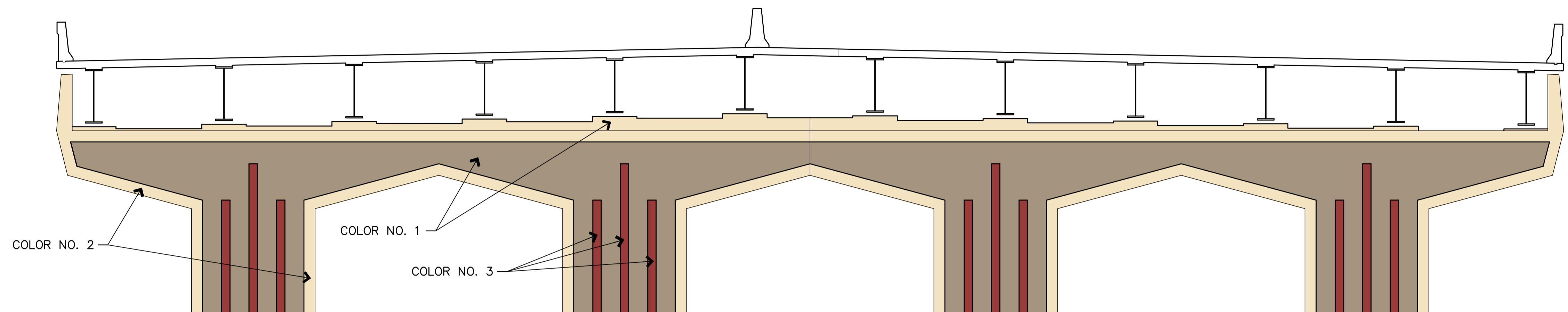
ELEVATION - END COLUMN  
END

SECTION 'A-A'

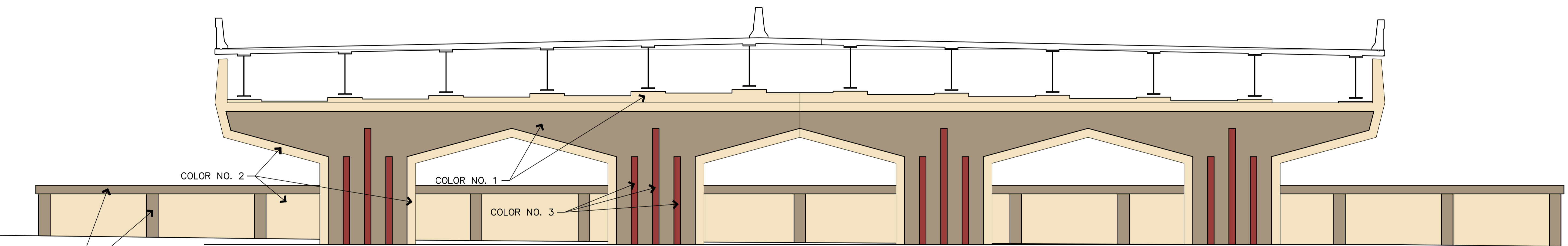
SECTION 'C-C'



Design	CKS	<b>I-44 (SKELLY DRIVE)</b>  <b>SOUND WALL DETAILS</b>  Job Piece No. _06374(50)_ Sheet No. _20_
Drawn	CKD	
Checked	CKE	
Approved		
Squad	C & K	



TYPICAL PIER ELEVATIONS



TYPICAL PIER ELEVATIONS WITH SCREEN WALL

Design	CKS		<b>I - 44 (SKELLY DRIVE)</b>
Drawn	CKD		
Checked	CKE		
Approved			
Squad	C & K	Job Piece No. <u>06374(50)</u>	Sheet No. <u>    </u>